

CATALOG #	TYPE	
JOB NAME	WATTAGE	VOLTAGE

Symphony Remote Driver Series

SSS-10680

Surface Mount Decorative Sconce • LED

Central Glow Panel • Edge Glow • White Standard • Colors Optional
Up to 90,000 Hour Rated Life (L70) • LM-80 Qualified



Specifications

LED Light Engine

- 15 watt LED array, 3500°K standard (or see Options -27K, -30K or -41K)
- Up to 85 CRI, up to 90,000 hour rated life in open space (L70)
- Fully sustainable; removable for servicing

Thermal Management System

- All aluminum heat sink, components and housing maximize cool operation and long life while minimizing maintenance

Remote Power Supply Required

- For 0-10V use [SYM-CABNT](#)
- For DMX with RDM use [SYM-DMXPS](#)

SmartPower™ Battery Backup

- [EMI-21220](#) for emergency power
- See specification sheet; order separately

Sconce Assembly

- Decorative brushed aluminum square faceplate (7.5" square) with clear ¼" acrylic diffuser (10" square)
- Illuminated white center field and edgeglow, or see Options for colors
- Two contemporary button finials

Brushed Anodized Aluminum Housing

- Shallow 2½" inconspicuous depth meets all ADA requirements
- Cool operation: Extends life of all components
- Rustproof
- Fully sustainable: Entire luminaire, including light engine, is modular and easily serviced

Installation

- Requires minimum 16 AWG shielded twisted pair wire from SmartDMX™ to fixtures
- **Maximum cable run from driver to fixture is 250'**
- Universal back plate mounted to 4" x 4" octagon J-box (by others) installs in wall or ceiling

UL, C-UL (Canada) Listings

Wet, damp or dry locations, covered ceilings

FCC Compliance

- FCC Part 15 certified for EMI/RFI emissions

FIVE YEAR Limited Warranty

Complete standard fixture (must be used with SYM-CABNT or SYM-DMXPS)

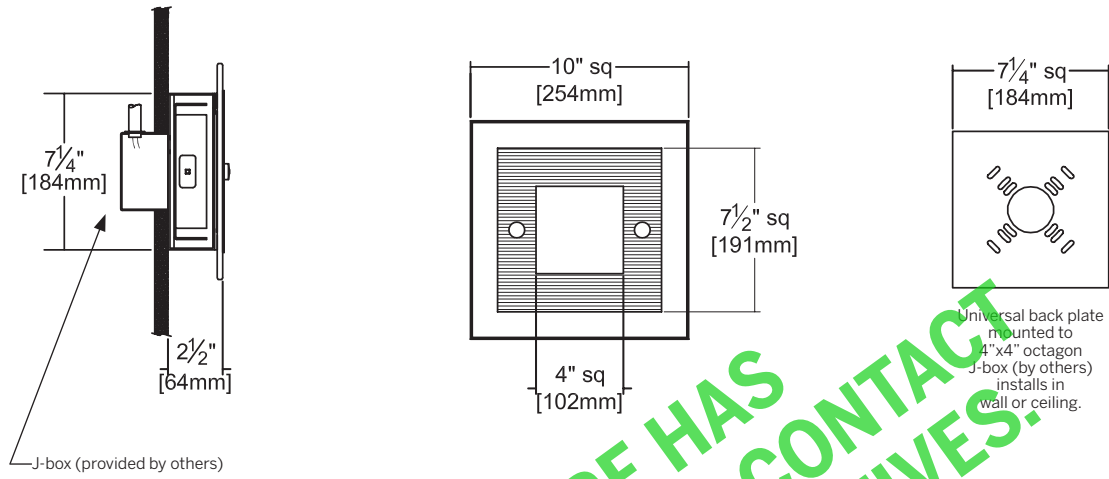


Options and Ordering Configuration

(Example: SSS-10680-27K-30-BL)

Must Specify	Optional			
Model	Color Temp. (CCT)	Faceplate & Surface Housing	Inner Lens Color	Other Options
SSS-10680	<p>(Blank): 3500°K</p> <p>-27K: 2700°K instead</p> <p>-30K: 3000°K instead</p> <p>-41K: 4000°K instead</p>	<p>(Blank): Brushed aluminum finish</p> <p>-30: White baked enamel finish instead for faceplate and housing</p> <p>-38: Black baked enamel finish instead for faceplate and housing</p> <p>-94: Custom color/finish for faceplate and housing; specify; consult factory</p>	<p>(Blank): White lens</p> <p>-BL: Blue filter</p> <p>-CF: Custom filter color (Rosco); specify</p> <p>-GE: Green filter</p> <p>-OR: Orange filter</p> <p>-RA: Red amber filter</p> <p>-RE: Red filter</p> <p>-YE: Yellow filter</p>	<p>(Blank): None</p> <p>-99: Special modification; consult factory</p> <p>-CL: Custom logo/color in center field; consult factory</p>

Dimensions



THIS FIXTURE HAS BEEN DISCONTINUED. CONTACT FACTORY FOR ALTERNATIVES.

LED manufacturers maintain a tolerance of +/-7% on flux (lumens) and power (electrical) measurements.