

CATALOG #	TYPE	
JOB NAME	WATTAGE	VOLTAGE

Symphony Remote Driver Series

SSR-14670

Surface Mount Decorative Sconce • LED

Central Glow Panel • Edge Glow • White Standard • Colors Optional
Up to 90,000 Hour Rated Life (L70) • LM-80 Qualified



Specifications

LED Light Engine

- 15 watt LED array, 3500°K standard (or see Options -27K, -30K or -41K)
- Up to 80+ CRI, up to 90,000 hour rated life (L70) in open space
- Fully sustainable; removable for servicing

Thermal Management System

- All aluminum heat sink, components and housing maximize cool operation and long life while minimizing maintenance

Remote Power Supply Required

- For 0-10V use **SYM-CABNT**
- For DMX with RDM use **SYM-DMXPS**

SmartPower™ Battery Backup

- **EMI-21220** for emergency power
- See specification sheet; order separately

Sconce Assembly

- Decorative brushed aluminum round faceplate (10.5" diameter) with clear ¼" acrylic diffuser (14" diameter)

- Illuminated white center field and edgeglow, or see Options for colors
- Four contemporary button finials

Brushed Anodized Aluminum Housing

- Shallow 2½" inconspicuous depth meets all ADA requirements
- Cool operation: Extends life of all components
- Rustproof
- Fully sustainable: Entire luminaire, including light engine, is modular and easily serviced

Installation

- Requires minimum 16 AWG shielded twisted pair wire from SmartDMX™ to fixtures
- **Maximum cable run from driver to fixture is 250'**
- Universal back plate mounted to 4" x 4" octagon J-box (by others) installs in wall or ceiling

UL, C-UL (Canada) Listings

Wet, damp or dry locations; covered ceilings

FCC Compliance

FCC Part 15 certified for EMI/RFI emissions

FIVE YEAR Limited Warranty

Complete standard fixture (must be used with SYM-CABNT or SYM-DMXPS)

THIS PRODUCT HAS BEEN DISCONTINUED. CONTACT FACTORY FOR ALTERNATIVES.

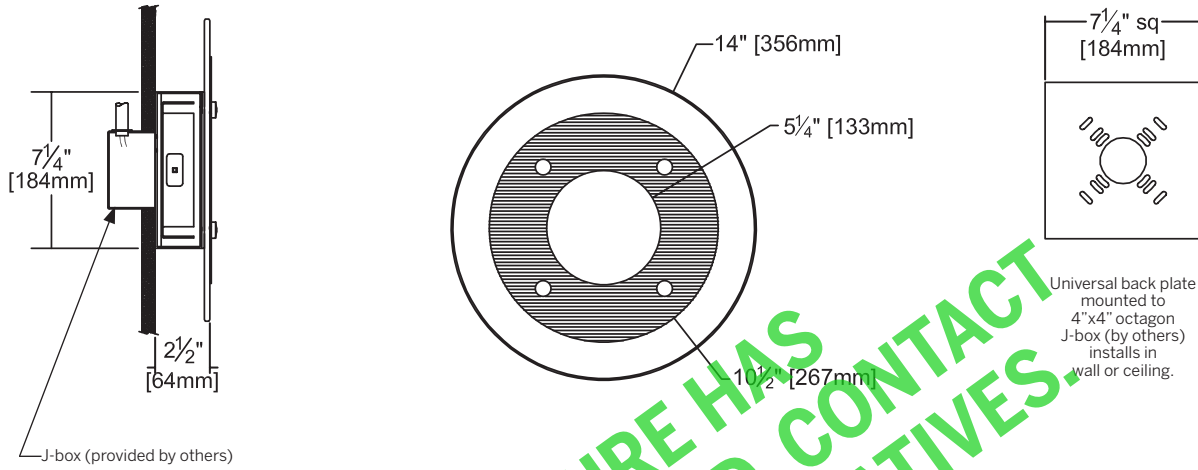
Options and Ordering Configuration

(Example: SSR-14670-27K-30-BL)

Must Specify	Optional			
Model	Color Temp. (CCT)	Faceplate & Surface Housing	Inner Lens Color	Other Options
SSR-14670	<p>(Blank): 3500°K</p> <p>-27K: 2700°K instead</p> <p>-30K: 3000°K instead</p> <p>-41K: 4000°K instead</p>	<p>(Blank): Brushed aluminum finish</p> <p>-30: White baked enamel finish instead for faceplate and housing</p> <p>-38: Black baked enamel finish instead for faceplate and housing</p> <p>-94: Custom color/finish for faceplate and housing; specify; consult factory</p>	<p>(Blank): White lens</p> <p>-BL: Blue filter</p> <p>-CF: Custom filter color (Rosco); specify</p> <p>-GE: Green filter</p> <p>-OR: Orange filter</p> <p>-RA: Red amber filter</p> <p>-RE: Red filter</p> <p>-YE: Yellow filter</p>	<p>(Blank): None</p> <p>-99: Special modification; consult factory</p> <p>-CL: Custom logo/color in center field; consult factory</p>



Dimensions



THIS FIXTURE HAS BEEN DISCONTINUED. CONTACT FACTORY FOR ALTERNATIVES.

LED manufacturers maintain a tolerance of +/-7% on flux (lumens) and power (electrical) measurements.