



Installation Guide/Owner's Manual

LSC-03RDN Cylinder

Technical Support: 313-259-6400, Press 5

1.0	Owner/User Responsibility	2
2.0	Safety & Important Information	2
3.0	Standards & Compliance	2
4.0	Electrical Requirements	3
5.0	Before You Begin	3
6.0	Mounting Junction Box	4
7.0	Wiring	4
8.0	Surface Mounting Installation	5
9.0	Cable Mounting Installation	6
10.0	Wall Mounting Installation	7
11.0	User Notes	8



INSTALLATION GUIDE/OWNER'S MANUAL

1.0 OWNER/USER RESPONSIBILITY

It is the responsibility of the contractor, installer, buyer, owner and user to install, maintain, and operate this luminaire in accordance with all applicable laws, regulations and local electrical safety authority requirements.

This product is only to be installed by a qualified electrician.

IMPORTANT!

Thoroughly read the entire instructions guide and warnings before beginning installation. The instructions provided are intended to assist in the installation and service of the corresponding product. Failure to follow the instructions may result in product malfunction, damage, injury or death. Contact your Kirlin service representative for replacement parts and procedures.

2.0 SAFETY & IMPORTANT INFORMATION



Risk of fire or electric shock. Ensure all power is disconnected during installation process. Refer to wiring diagrams to prevent damages and malfunctions.



This luminaire may only be connected and installed by a qualified electrician. This luminaire requires knowledge of luminaires and electrical systems. If not qualified, do not attempt installation or maintenance. All applicable regulations, legislation, and building codes must be observed.



Connecting fixtures with power **ON** will “hot plug” the LEDs and cause damage.



To prevent wiring damage or abrasion, do not expose wiring to edges metal or other sharp objects.

3.0 STANDARDS & COMPLIANCE

UL Listed	UL 1598
Restriction of hazardous substances	RoHS Compliant

4.0 ELECTRICAL REQUIREMENTS

Nominal input voltage range AC	120 - 277V
Input frequency range	50 - 60Hz
Maximum wattage	10.0 - 36.2 lumen dependant
Power factor at full load	> 0.95
Surge protection	1kV differential mode (DM) 2kV common mode (CM)

5.0 BEFORE YOU BEGIN

Before You Begin

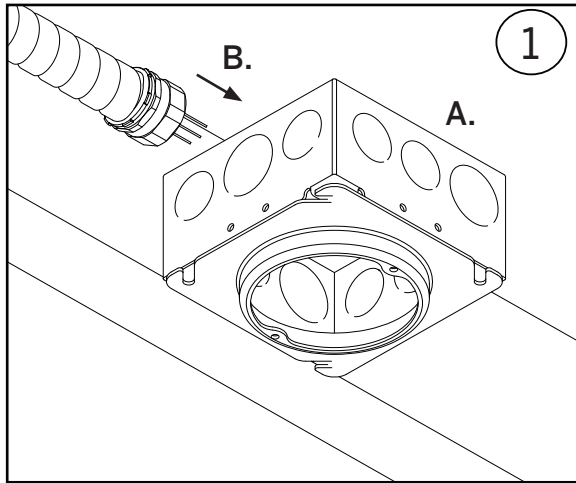
- Shut **OFF** power at fuse box or circuit breaker before installation, inspection or removal.
- To reduce the risk of fire or electric shock, **NEVER** interconnect or short output terminations.

Environmental Conditions

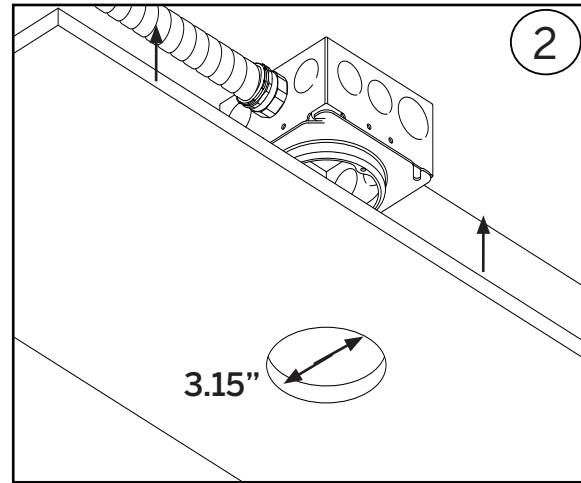
Luminaire operating ambient temperature (Ta) range	-30°C to +60°C
--	----------------

INSTALLATION GUIDE/OWNER'S MANUAL

6.0 MOUNTING JUNCTION BOX

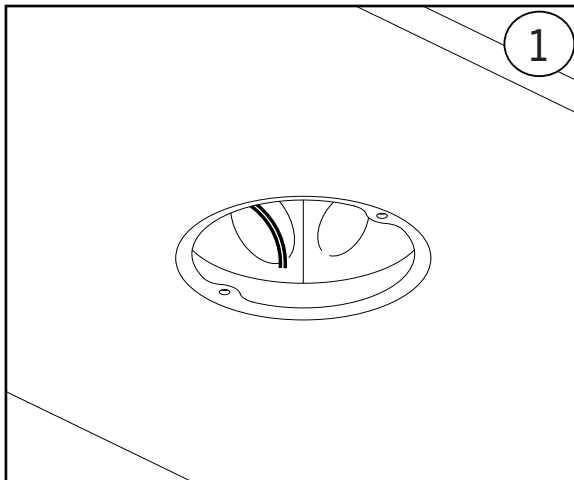


- A. Install the junction box (supplied by others) to a joist and attach 0.5" reducer cover (supplied by others).
- B. Remove a knockout depending on conduit (supplied by others) location and run the conduit to the junction box. Run wires into junction box.

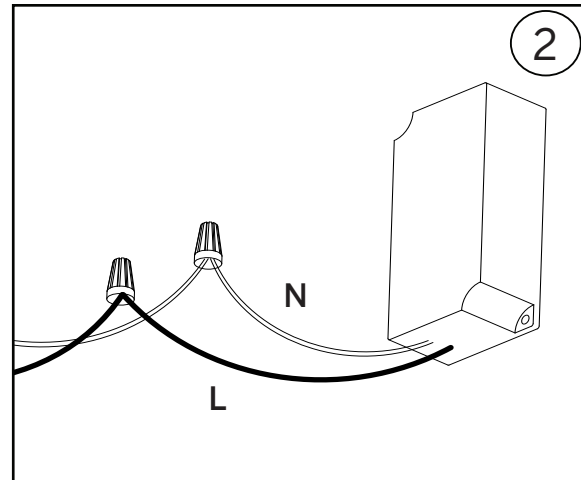


Install drywall or drop ceiling with a 3.15" diameter cutout.

7.0 WIRING INSTALLATION

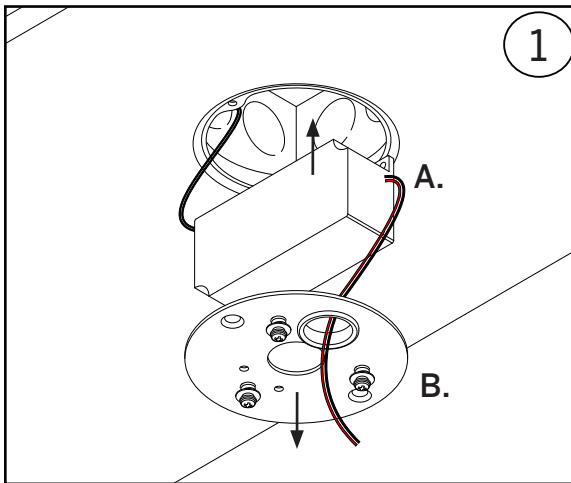


- A. Ensure wire length is sufficient for wire connections.
- B. Make ground connection per the junction box manufacturer requirements.

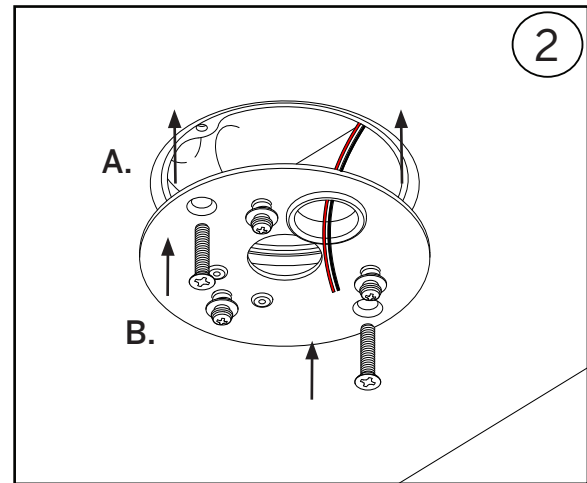


Connect line (black) and neutral (white) wires to corresponding incoming wires using wire nuts (supplied by others).

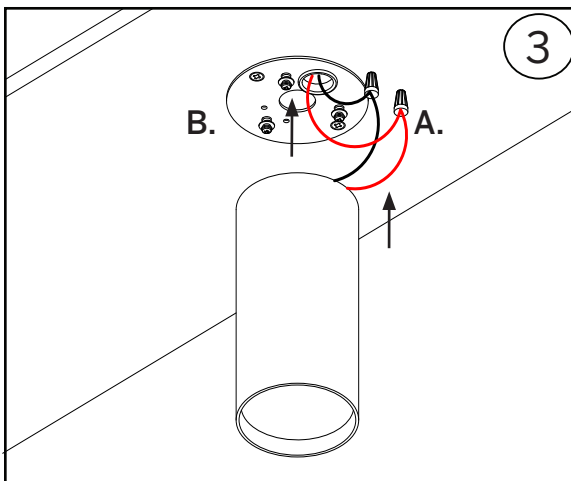
8.0 SURFACE MOUNT FIXTURE INSTALLATION



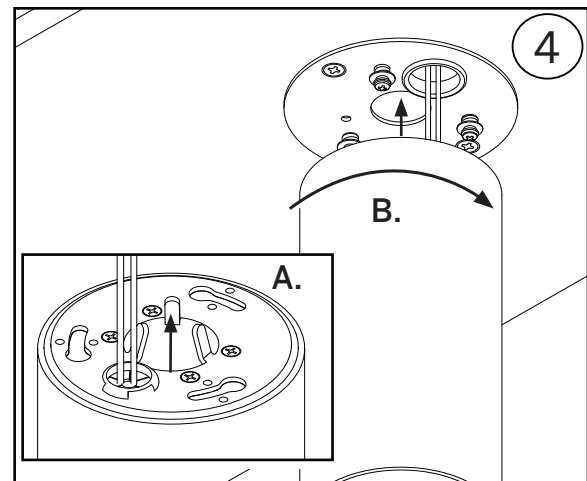
- A. Remove tape backing on driver and place in junction box.
- B. Route wire connections through clearance hole in mounting plate.



- A. Raise mounting plate until flush against the ceiling.
- B. Mount plate to the reducer cover using the provided 2 - 8-32 flathead screws.

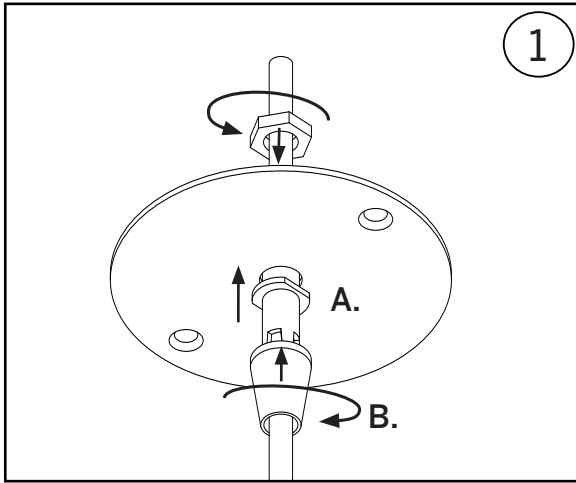


- A. Raise the fixture and connect light engine wires to corresponding driver wires using wire nuts. Connect positive wires together (red to red). Connect negative wires together (black to black).
- B. Push all wire connections into junction box through clearance hole in mounting plate.

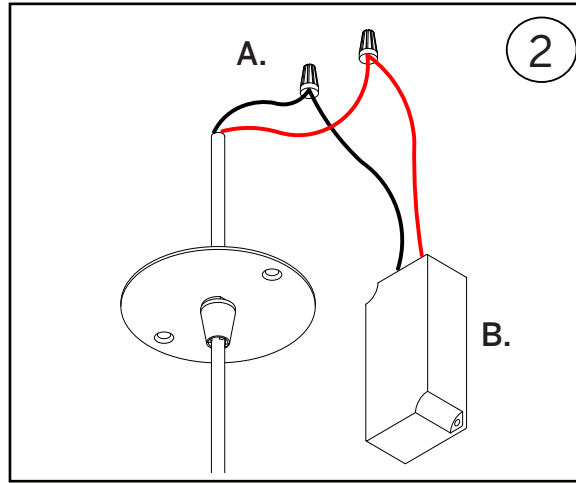


- A. Raise fixture up toward mounting plate. Align key slots to mounting plate and push up against springs.
- B. While pushing up against springs, twist clockwise and release to lock in place. Ensure space between fixture and mounting plate is even for proper installation.

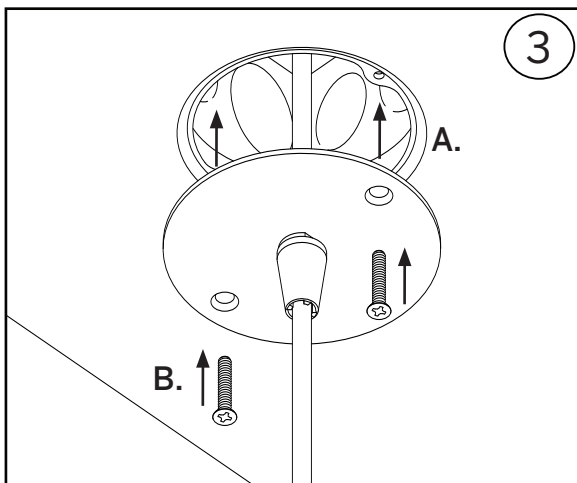
9.0 CABLE MOUNT FIXTURE INSTALLATION



- A. Insert cord gripper through the center hole in the mounting plate and tighten down with nut on backside.
- B. Adjust cord to the desired length and twist cap clockwise to tighten.

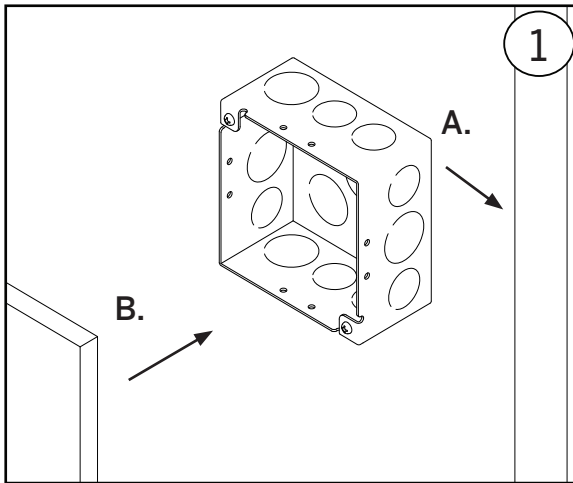


- A. Connect light engine wires to corresponding driver wires using wire nuts. Connect positive wires together (red to red). Connect negative wires together (black to black).
- B. Remove tape backing on driver and place in junction box.

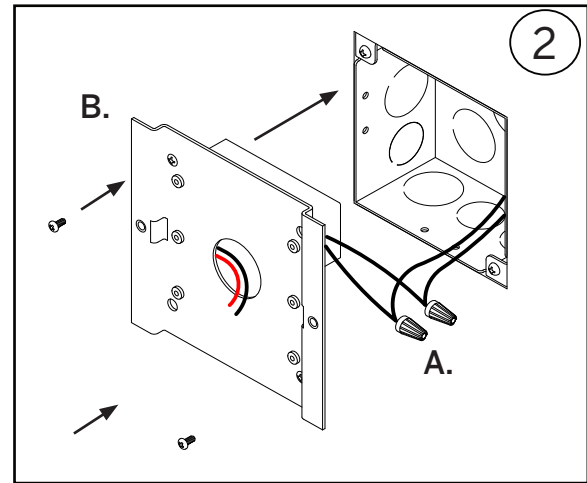


- A. Raise cable mounting plate until flush against the ceiling.
- B. Mount to reducer cover using the provided 2 x 8-32 flathead screws.

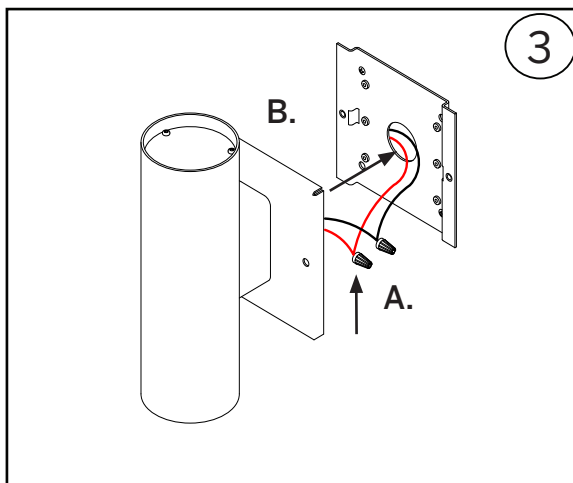
10.0 WALL MOUNT FIXTURE INSTALLATION



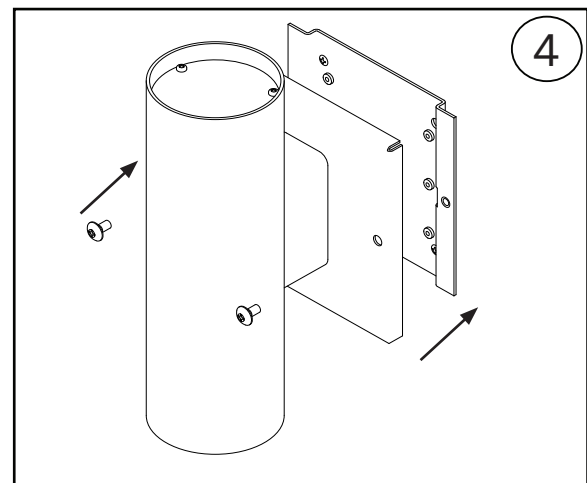
- A. Install junction box to wall stud and mount so the box front sits flush to the wall, as shown in step 2. Route supply wires through junction box.
- B. Install drywall with a cutout for the junction box.



- A. Take the mounting bracket and connect driver line (black) and neutral (white) wires to corresponding incoming wires using wire nuts. Push wire nuts and excess wire into junction box. Route driver output wires (red and black) through the clearance hole.
- B. Secure mounting bracket to junction box.



- A. Raise fixture and connect light engine wires to corresponding driver wires using wire nuts. Connect positive wires together (red to red). Connect negative wires together (black to black).
- B. Push all wire connections into junction box through clearance hole in mounting plate.



- A. Align and attach faceplate to mounting bracket using the supplied 2 x 10-24 truss-head screws.

11.0 USER NOTES