

CATALOG #	TYPE	
JOB NAME	WATTAGE	VOLTAGE

Lighting for Patient Spaces

Strait Static and Tunable White Slot Light

2.5" Recessed • Delivers Up To 1200 Lumens Per Foot • Asymmetric Distributions Available • LM-80 Qualified • LM-79 Certified

Specifications

Luminaire Features

- Linear slot light with integral driver
- Shallow extruded aluminum housing; optional IP66-rated housing and frame
- White finish standard, or see options below
- Color temperature: see chart below; CRI: 90+

LED Driver - INTERNAL

- Indoor/Outdoor: -30°C to 60°C (-22°F to 140°F)
- 0-10V CCR 1.0% dimming standard
- 120-277 volt

Trim/Lens Assembly

- ½" flanged trim
- Impact-resistant extruded lens with integral snap and diffusion mounting features, uniform distribution

- Optional IP66 rated trim and lens for locations that need additional protection

Installation

- Mounts to grid ceiling, or see Option -NCB for installation in a hard ceiling
- Indoor/outdoor in ceilings up to 1 1/8" thick

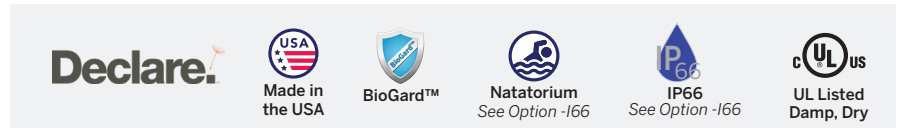
UL, C-UL (Canada) Listings

- Damp, dry locations, covered ceilings

Five Year Limited Warranty

- Complete standard fixture

PRL-02SWM



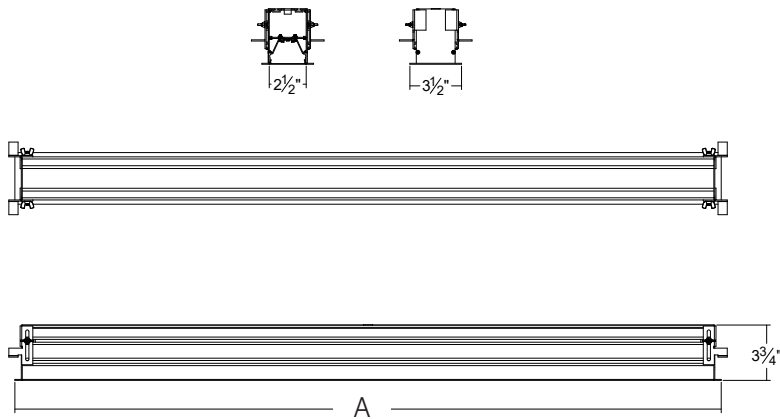
Options and Ordering Configuration

(Example: PRL-02SWM-8FT-DD-35K-BG)

Must Specify							Optional		
Model	Length	Lumens/FT	Beam	CCT & CRI	Dimming	Mounting Options	Trim Options	Emergency	Other Options
PRL-02SWM									
	-2FT -4FT -6FT -8FT -10FT -12FT Consult factory for longer lengths	-1200L -1000L -750L -500L -XXXXL* *Specify lumens/ft desired between 500L and 1200L	-DD: Direct distribution -AS: Asymmetric	-30K: 3000°K, 90+ CRI -35K: 3500°K, 90+ CRI -40K: 4000°K, 90+ CRI -6527: Tunable white; 6500°K - 2700°K, 80+ CRI; Available up to XXXX lumens/ft	(Blank) 0-10V dimming to 1% for static white -D2: 0-10V 0.1% dimming instead -D7: DALI dual drive 0.1% dimming driver instead -TW: Dual 0-10V Tunable White control with 1.0% dimming; Available with -6527 only -TW7: DALI dual drive 0.1% tunable white dimming driver instead; Available with -6527 only -TW8: DALI DT8 dual drive 0.1% tunable white dimming driver instead; Available with -6527 only	-TG: T-grid ceiling; When used in conjunction with option -I66, grid must be flush (no tegular grids). Consult factory for -I66 -TG combination -NCB: New construction mounting bracket for hard ceiling installation	(Blank): Standard white enamel trim with diffusing lens Trim Finishes -35T: Silver enamel -37T: Dark bronze enamel -38T: Black enamel -BG: BioGard anti-microbial white -94: Custom color; consult factory Other Trim/Lens Features -I66: IP66 rated trim and lens; Meets ASTM E283 restricted airflow of 2CFM; Natatorium rated; Not available for -8FT, -10FT, -12FT -NSF: NSF approved fixture; Must also specify option -I66 for NSF Rating; Not available for -8FT, -10FT, -12FT	(Blank): None -EI: Remote emergency inverter for 100% of rated lumens; 90+ minutes; 120V or 277V, 60Hz input only; specify voltage	(Blank): None -99: Special modification; consult factory

Dimensions (4 ft length shown)

Standard Version



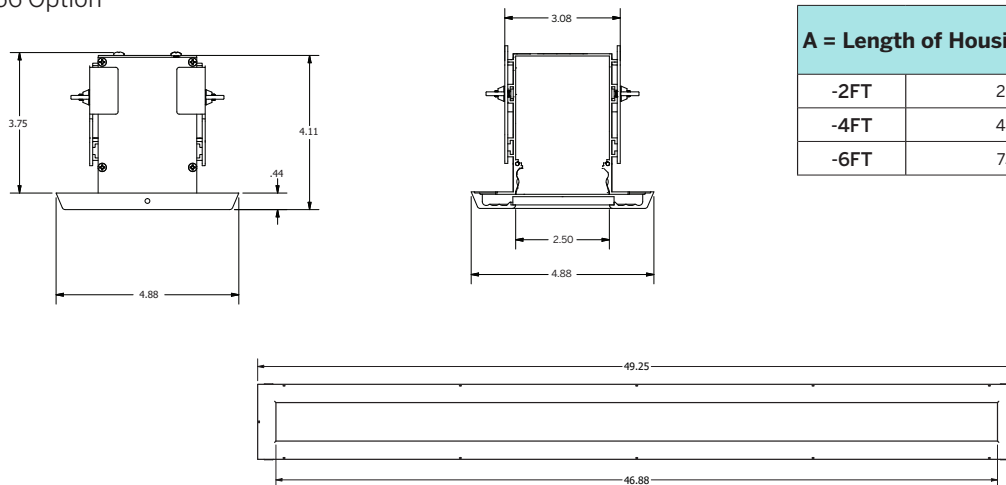
Length of Housing

A = Length of Housing (inches) For 3/16" & 15/16" Grid Ceilings		
-2FT	STANDARD	23 7/8"
	DROP IN	23 7/8"
-4FT	STANDARD	47 7/8"
	DROP IN	47 7/8"
-6FT	STANDARD	71 7/8"
	DROP IN	71 7/8"
-8FT	STANDARD	95 7/8"
	DROP IN	95 7/8"

STANDARD = Installed occupancy side, flange fully visible from below
 DROP IN = Installed plenum side, flange mostly contained behind grid

Dimensions (4 ft length shown)

IP66 Option

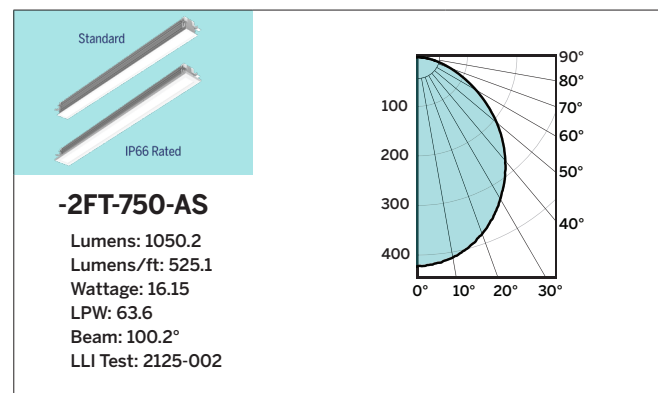
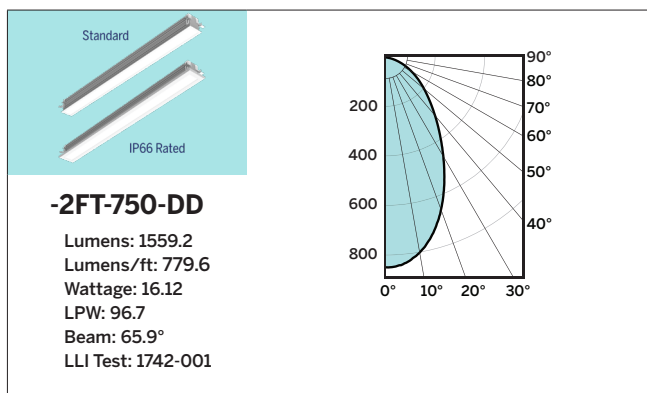


Length of Housing

A = Length of Housing (inches)	
-2FT	25 1/4"
-4FT	49 1/4"
-6FT	73 1/4"

Photometry - Installed Complete Fixture

LM-79 IESNA Certified Photometry from Independent Lab



LIMITED WARRANTY: KIRLIN LIGHTING FIXTURES ARE WARRANTED FREE OF DEFECTS IN WORKMANSHIP OR MATERIAL FOR FIVE YEARS FROM DATE OF PURCHASE. INSTALLED TO N.E.C. IN NORMAL USE. Manufacturer at this option will replace or repair such fixture or refund the purchase price on presentation of proof of purchase and defective fixture at the offices of manufacturer within the years of original shipment. Liability of manufacturer is limited to the foregoing and manufacturer shall not be liable for any other damages, direct or indirect, sustained or suffered by purchaser or any person. This warranty is applied to the buyer in place of all other warranties, expressed or implied. Seller does not warrant as to merchantability or fitness for a particular use, nor will any oral statement constitute a warranty or amend this specific warranty. Abnormal use, abuse of the fixture, improper installation, or repair or modification of the fixture without prior written authorization from the manufacturer will render the warranty void. PATENT SPACES AUGUST 2024