

CATALOG #	TYPE	
JOB NAME	WATTAGE	VOLTAGE

# Lighting for Patient Spaces

## Strait RGBW Linear Accent Slot

Create a patient-centric experience with soothing dynamic color scenes  
 2.5" Recessed • LM-80 Qualified • LM-79 Certified

### Specifications

#### Luminaire Features

- Color-changing linear slot accent light
- Shallow extruded aluminum housing; optional IP66-rated housing and frame
- White finish standard, or see options below

#### LED Driver - INTERNAL

- Indoor/Outdoor: -30°C to 60°C (-22°F to 140°F)
- DMX control of 4 color channels (red, green, blue, white) with 1.0% dimming standard
- 120-277 volt
- Optional remote driver solution available

#### Trim/Lens Assembly

- ½" flanged trim
- Impact-resistant extruded lens with integral snap and diffusion mounting features, uniform distribution and color mixing
- Optional IP66 rated trim and lens for locations that need additional protection

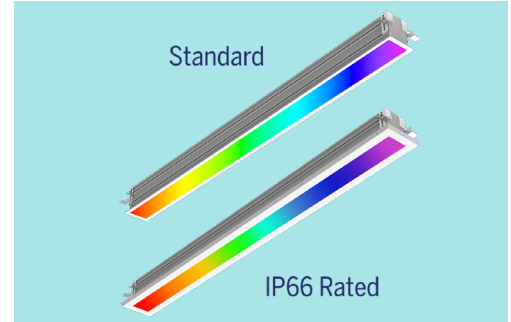
#### Installation

- Mounts to grid ceiling, or see Option -NCB for installation in a hard ceiling
- Indoor/outdoor in ceilings up to 1⅞" thick

#### Color & Controls

- Quad chip RGBW LEDs provide rich color palette for full spectrum expression
- Can be controlled by third party DMX control systems, consult factory for details
- Optional DMX controller available via Kirlin DMX wall panel **PRL-DMXWP**
- Wall panel ships preloaded with standard scene configuration and presets - consult factory for custom programs

## PRL-02CCM



#### UL, C-UL (Canada) Listings

- Damp, dry locations, covered ceilings

#### Five Year Limited Warranty

- Complete standard fixture

Declare

Made in the USA

RGBW

BioGard™

Natorium  
See Option -I66

IP66  
See Option -I66

UL Listed  
Damp, Dry

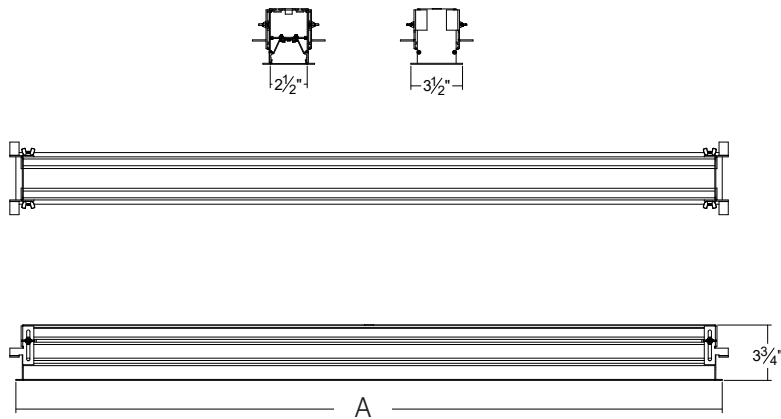
## Options and Ordering Configuration

(Example: VRL-02CCM-8FT-DD-RGB4-DMX)

Must Specify						Optional	
Model	Length	Beam	Output	Controls	Mounting Options	Trim Options	Other Options
PRL-02CCM	-2FT † -4FT -6FT -8FT -10FT -12FT	-DD: Direct distribution	-RGB4: RGB + 4000°K, 80+ CRI	-DMX	-TG: T-grid ceiling -NCB: New construction mounting bracket for hard ceiling installation	(Blank): Standard white enamel trim with diffusing lens  <b>Trim Finishes</b> -35T: Silver enamel -37T: Dark bronze enamel -38T: Black enamel -BG: BioGard anti-microbial white -94: Custom color; consult factory	(Blank): None  -99: Special modification; consult factory -RD: Remote mounted Kirlin LED driver instead, sold separately
	† -RD Remote driver required for -2FT run; minimum of 4 feet per room; consult factory for details					<b>Other Trim/Lens Features</b> -I66: IP66 rated trim and lens; Meets ASTM E283 restricted airflow of 2CFM; Natorium rated; Not available for -8FT, -10FT, -12FT -NSF: NSF approved fixture; Must also specify option -I66 for NSF Rating; Not available for -8FT, -10FT, -12FT	

## Dimensions (4 ft length shown)

Standard Trim



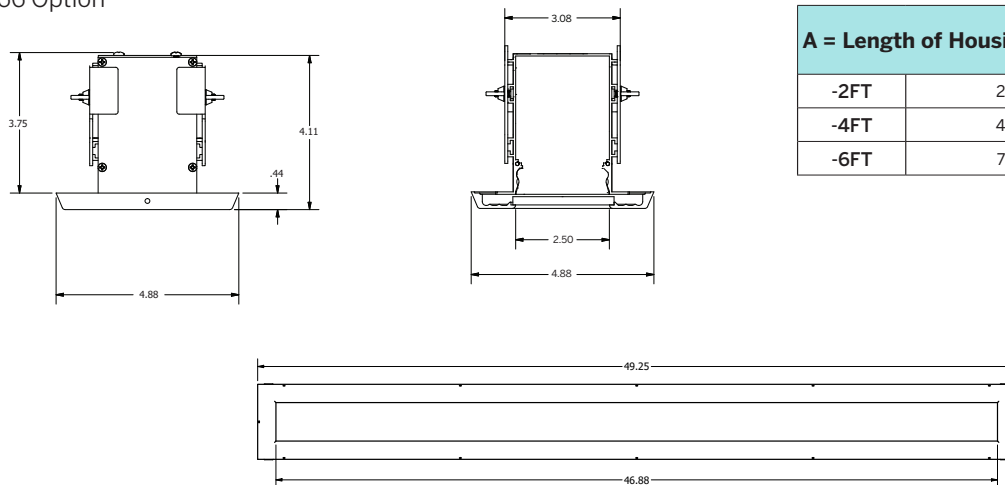
## Length of Housing

A = Length of Housing (inches) For 3/16" & 15/16" Grid Ceilings		
-2FT	STANDARD	23 7/8"
	DROP IN	23 7/8"
-4FT	STANDARD	47 7/8"
	DROP IN	47 7/8"
-6FT	STANDARD	71 7/8"
	DROP IN	71 7/8"
-8FT	STANDARD	95 7/8"
	DROP IN	95 7/8"

STANDARD = Installed occupancy side, flange fully visible from below  
 DROP IN = Installed plenum side, flange mostly contained behind grid

## Dimensions (4 ft length shown)

IP66 Option



## Length of Housing

A = Length of Housing (inches)	
-2FT	25 1/4"
-4FT	49 1/4"
-6FT	73 1/4"

LIMITED WARRANTY: KIRLIN LIGHTING PRODUCTS ARE WARRANTED FREE OF DEFECTS IN WORKMANSHIP OR MATERIAL FOR FIVE YEARS FROM DATE OF PURCHASE. INSTALLED TO N.E.C. - IN NORMAL USE. Manufacturer at this option will replace or repair such fixture or return the purchase price on presentation of proof of purchase and defective fixture at the offices of manufacturer within the years of original shipment. Liability of manufacturer is limited to the foregoing and manufacturer shall not be liable for any other damages, direct or indirect, sustained or suffered by purchaser or any person. This warranty is applied to the buyer in place of all other warranties, expressed or implied. Seller does not warrant as to merchantability or fitness for a particular use, nor will any oral statement constitute a warranty or amend this specific warranty. Abnormal use, abuse of the fixture, improper installation, or repair or modification of the fixture without prior written authorization from the manufacturer will render the warranty void.

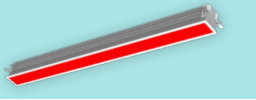
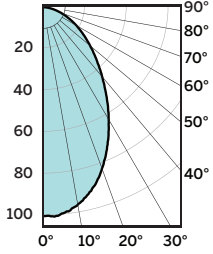
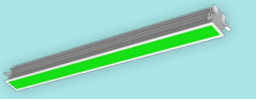
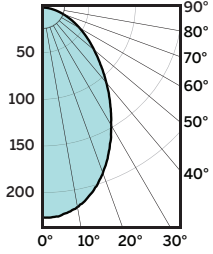
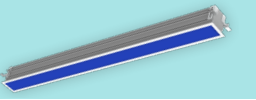
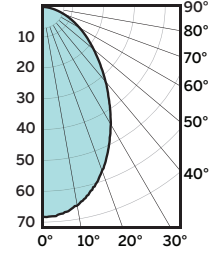
PATENT SPACES  
 AUGUST 2024

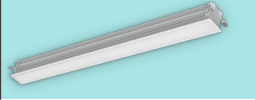
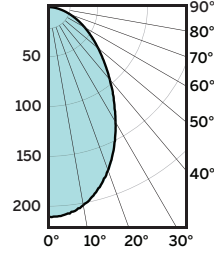
# Photometry - Installed Complete Fixture

LM-79 IESNA Certified Photometry from Light Labs, International

Photometry from L.L.I., Allentown, PA

Light Labs, International

 <p><b>-2FT (Red LED)</b></p> <p>Lumens: 189.5 Lumens/ft: 94.75 Wattage: 5.90 LPW: 32.1 Beam: 72.6° LLI Test: 1792-07</p>	
 <p><b>-2FT (Green LED)</b></p> <p>Lumens: 446.0 Lumens/ft: 223 Wattage: 6.93 LPW: 64.4 Beam: 75.8° LLI Test: 1792-08</p>	
 <p><b>-2FT (Blue LED)</b></p> <p>Lumens: 134.0 Lumens/ft: 67 Wattage: 7.51 LPW: 17.8 Beam: 75.4° LLI Test: 1792-09</p>	

 <p><b>-2FT (White LED)</b></p> <p>Lumens: 401.1 Lumens/ft: 200.55 Wattage: 7.68 LPW: 52.2 Beam: 73.4° LLI Test: 1792-10</p>	
--	---

LIMITED WARRANTY: CATALOGED KIRLIN FIXTURES ARE WARRANTED FREE OF DEFECTS IN WORKMANSHIP OR MATERIAL FOR FIVE YEARS FROM DATE OF PURCHASE. INSTALLED TO N.E.C. IN NORMAL USE. Manufacturer at his option will replace or repair such fixture or refund the purchase price on presentation of proof of purchase and defective fixture at the office of manufacturer within the years of original shipment. Liability of manufacturer is limited to the foregoing and manufacturer shall not be liable for any other damages, direct or indirect, sustained or suffered by purchaser or any person. This warranty is applied to the buyer in place of all other warranties, expressed or implied. Seller does not warrant as to merchantability or fitness for a particular use, nor will any oral statement constitute a warranty or amend this specific warranty. Abnormal use, abuse of the fixture, improper installation, or repair or modification of the fixture without prior written authorization from the manufacturer will render the warranty void.

PATIENT SPACES  
AUGUST 2024