

CATALOG #	TYPE	
JOB NAME	WATTAGE	VOLTAGE

SmartLED™ MRI Lighting System

RGBW Round Surface Mount Decorative Sconce

Create a patient-centric MRI experience with soothing, dynamic color scenes • Central Glow Panel • Edge Glow

Specifications

Delivered System Performance

- Quad chip RGBW
- Fully sustainable: removable for servicing

Thermal Management System

- Aluminum heat sink and components for cool operation, long life, and low maintenance

SmartLED™ MRI Lighting System Required

- Kirlin DMX remote driver modules, cabinet, and RFI filters required for operation
- Components ordered separately, see [MRI-DMXPS](#)

SmartLED™ Emergency Backup System

- [EMI-21220](#) or [EMI-03120](#) available for emergency power
- See specification sheet; order separately

Sconce Assembly

- Round decorative brushed aluminum ring (10.5" diameter) with clear 1/4" acrylic diffuser (14" diameter)
- Illuminated white center field and edge glow
- Optional colors and finishes available
- Four contemporary button finials

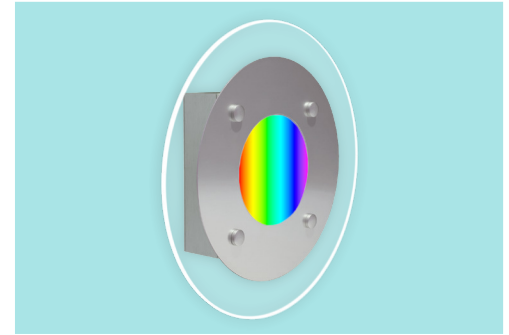
Brushed Anodized Aluminum Housing

- Shallow 2 1/2" inconspicuous depth meets all ADA requirements
- Rustproof
- Cool operation extends component life
- Modular design; easily serviceable

Color & Controls

- Quad chip RGBW LEDs provide rich color palette for full spectrum expression
- DMX control via Kirlin DMX wall panel [MRI-DMXWP](#)
- Wall panel ships preloaded with standard scene configuration and presets - consult factory for custom programs

MSR-14350



Installation & Hardware

- Requires minimum 18 AWG twisted pair shielded wire from SmartLED MRI driver modules, to filter, and included 35' RJ-45 cable from filter to luminaire
- Universal back plate mounts to any non-ferromagnetic octagon or 4" square J-box (by others) in wall or ceiling

UL, C-UL (Canada) Listings

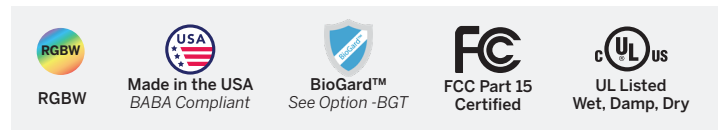
- Dry locations, covered ceilings / wall

IEC & FCC Compliance

- FCC Part 15 certified for EMI/RFI emissions

FIVE YEAR Limited Warranty

- Complete fixture, must be installed with all SmartLED™ components

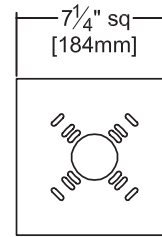
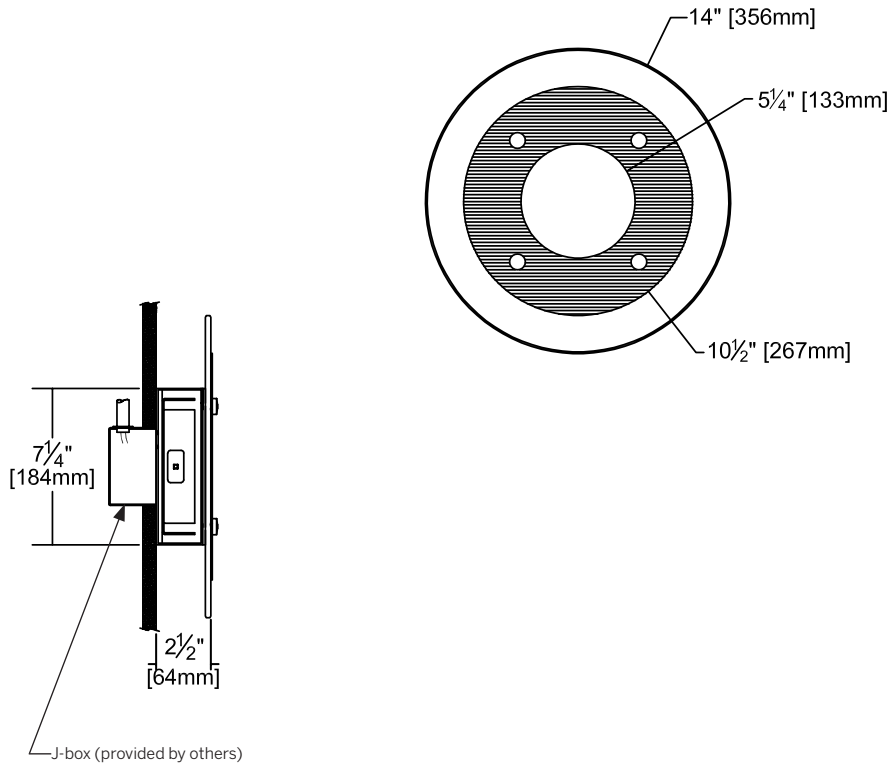


Options and Ordering Configuration

(Example: MSR-14350-RGB4-BG)

Must Specify		Optional	
Model	CCT & CRI	Ring & Surface Housing Options	Other Options
MSR-14350			
	-RGB4: RGB + 4000K 80+ CRI	<p>(Blank): Brushed Aluminum ring and surface housing</p> <p>-30: White baked enamel finish instead for ring and housing</p> <p>-35: Natural Aluminum baked enamel finish instead for ring and housing</p> <p>-38: Black baked enamel finish instead for ring and housing</p> <p>-94: Custom color / finish for ring and housing; consult factory</p> <p>-BG: Kirlin BioGard™ anti-microbial finish (white only)</p>	<p>(Blank): None</p> <p>Other Options</p> <p>-CI: Custom image (logo) added to center field of sconce</p>

Dimensions



Universal back plate mounted to 4"x4" octagon J-box (by others) installs in wall or ceiling.

LIMITED WARRANTY: CATALOGED KIRLIN FIXTURES ARE WARRANTED FREE OF DEFECTS IN WORKMANSHIP OR MATERIAL FOR FIVE YEARS FROM DATE OF PURCHASE. INSTALLED TO N.E.C. / IN NORMAL USE. Manufacturer at his option will replace or repair such fixture or refund the purchase price on presentation of proof of purchase and defective fixture at the offices of manufacturer within the years of original shipment. Liability of manufacturer is limited to the foregoing and manufacturer shall not be liable for any other damages, direct or indirect, sustained or suffered by purchaser or any person. This warranty is applied to the buyer in place of all other warranties, expressed or implied. Seller does not warrant as to merchantability or fitness for a particular use, nor will any oral statement constitute a warranty or amend this specific warranty. Abnormal use, abuse of the fixture, improper installation, or repair or modification of the fixture without prior written authorization from the manufacturer will render the warranty void.

