

CATALOG #	TYPE	
JOB NAME	WATTAGE	VOLTAGE

# SmartLED™ MRI Lighting System

## RGBW Lensed 6" x 10" Cylinder Downlight

Create a patient-centric MRI experience with soothing, dynamic color scenes • Surface, Pendant, or Wall Mount

### Specifications

#### Delivered System Performance

- Nominal lumens: **-750L**; see photometric data for specific color lumens
- Distribution: WFL
- Quad chip RGBW
- Fully sustainable: removable for servicing

#### Thermal Management System

- Aluminum heat sink and components for cool operation, long life, and low maintenance

#### SmartLED™ MRI Lighting System Required

- Kirlin DMX remote driver modules, cabinet, and RFI filters required for operation
- Components ordered separately, see [MRI-DMXPS](#)

#### SmartLED™ Emergency Backup System

- [EMI-21220](#) or [EMI-03120](#) available for emergency power
- See specification sheet; order separately

#### Trim and Lens Assembly

- Seamless white self-flanged aluminum
- Optional colors and finishes available
- Regressed tempered prismatic spread distribution lens

#### Aluminum Housing

- Seamless white acrylic enameled finish
- Rustproof: Exceeds 1000 hour ASTM 5% salt spray test
- No visible cylinder hardware
- Cool operation: Extends life of all components
- Fully sustainable: Entire luminaire
- Lightweight: minimizes ceiling load

#### Color & Controls

- Quad chip RGBW LEDs provide rich color palette for full spectrum expression
- DMX control via Kirlin DMX wall panel [MRI-DMXWP](#)
- Wall panel ships preloaded with standard scene configuration and presets - consult factory for custom programs

## MSR-06375



#### Installation & Hardware

- Requires minimum 18 AWG twisted pair shielded wire from SmartLED MRI driver modules, to filter, and included 35' RJ-45 cable from filter to luminaire
- Center point mounting for snug fit to ceiling
- Mounting hardware furnished
- 2" collar for surface J-box mount; see Option -80

#### UL, C-UL (Canada) Listings

- Damp or dry locations, covered ceilings

#### IEC & FCC Compliance

- FCC Part 15 certified for EMI/RFI emissions

#### FIVE YEAR Limited Warranty

- Complete fixture, must be installed with all SmartLED™ components

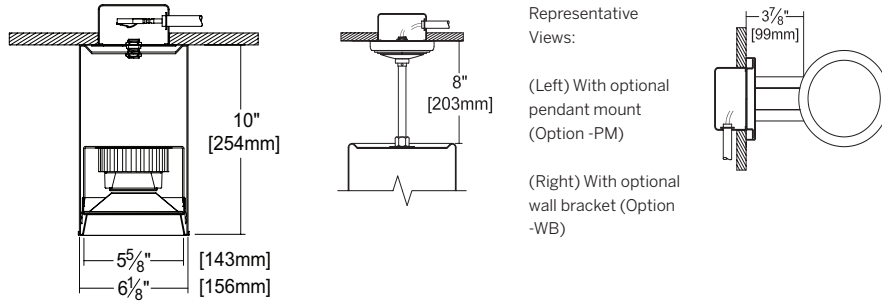
## Options and Ordering Configuration

(Example: MSR-06375-1500L-RGB4-BGT-WB)



Must Specify			Optional		
Model	Lumens	CCT & CRI	Trim & Lens Options	Mounting	Other Options
MSR-06375					
	-750L	-RGB4: RGB + 4000K 80+ CRI	<p><b>(Blank):</b> White flat seamless aluminum one-piece housing with prismatic lens</p> <p><b>Trim Finishes</b></p> <ul style="list-style-type: none"> <li>-35: Silver (natural aluminum) acrylic enamel</li> <li>-38: Black acrylic enamel</li> <li>-94: Custom color; consult factory</li> <li>-BGT: BioGard™ anti-microbial white</li> </ul> <p><b>Other Trim Features</b></p> <ul style="list-style-type: none"> <li>-46: Gasket between trim and lens</li> </ul> <p><b>Lens Options</b></p> <ul style="list-style-type: none"> <li>-13: Clear flat polycarbonate below with prismatic flat lens above</li> <li>-23: Frosted micropismatic lens instead</li> <li>-WA: White acrylic (flat) diffuser instead; will produce wide flood distribution</li> </ul>	<p><b>(Blank):</b> Mounting hardware for surface mount</p> <ul style="list-style-type: none"> <li>-54: Safety cable from fixture through pendant stem and 12" beyond; use with -PM</li> <li>-80: 2" collar for mounting beneath outlet box; ½" T.S. KO's</li> <li>-87: Custom pendant or cable length; specify length; use with Option -ASB, -ASW or -PM</li> <li>-88: Swivel canopy for sloped ceilings up to 40°; use with Option -PM</li> <li>-ASB: Aircraft cable pendant mount; black cord. 48" or see -87</li> <li>-ASW: Aircraft cable pendant mount; white cord; 48" or see -87</li> <li>-PM: Pendant mount. 8" stem or see Option -87</li> <li>-WB: Wall bracket mount</li> </ul>	<p><b>(Blank):</b> None</p> <p><b>Other Options</b></p> <ul style="list-style-type: none"> <li>-99: Special modification; consult factory</li> </ul>

## Dimensions



Representative Views:

(Left) With optional pendant mount (Option -PM)

(Right) With optional wall bracket (Option -WB)

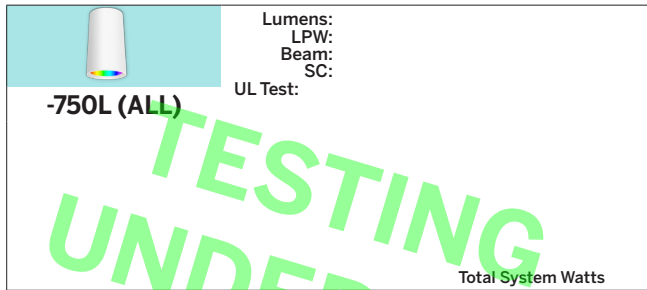
## Photometry - Installed Complete Fixture

LM-79 IESNA Certified Photometry from Independent Lab

Photometry from UL Verification Services, Allentown, PA

▲ **Cone of Light Key**  
Dia. (in ft.) shown is where FC value is half the FC at nadir.

**Dist.** Distance (Ft.) from fixture  
**FC** Footcandles at nadir (0°)  
**Dia.** Circle of light at 50% of FC



\*LED manufacturers maintain a tolerance of +/-7% on flux (lumens) and power (electrical) measurements.

LIMITED WARRANTY: CATALOGED KIRLIN FIXTURES ARE WARRANTED FREE OF DEFECTS IN WORKMANSHIP OR MATERIAL FOR FIVE YEARS FROM DATE OF PURCHASE. INSTALLED TO N.E.C. - IN NORMAL USE. Manufacturer at his option will replace or repair such fixture or refund the purchase price on presentation of proof of purchase and defective fixture at the offices of manufacturer within the years of original shipment. Liability of manufacturer is limited to the foregoing and manufacturer shall not be liable for any other damages, direct or indirect, sustained or suffered by purchaser or any person. This warranty is applied to the buyer in place of all other warranties, expressed or implied. Seller does not warrant as to merchantability or fitness for a particular use, nor will any oral statement constitute a warranty or amend this specific warranty. Abnormal use, abuse of the fixture, improper installation, or repair or modification of the fixture without prior written authorization from the manufacturer will render the warranty void.

SmartLED MRI  
JUNE 2024

