

# QL Lamp Regressed Lens Cylinder: 100,000 Hour Lamp Life

### Features

#### Lamp (Included)

- 1 vertical QL 85 watt (by Philips).
- Electrode-less induction lamp with Power Coupler.
- Extra long 100,000 hour life.
- Flicker-free instant-on, high light output, excellent color rendering (>80 CRI).
- Indoor or outdoor use. -30°F rated.
- 3000°K standard. Add Option -LT for 4000°K.
- High efficiency with low operating costs.
- Resistant to voltage fluctuation.
- Vibration resistant.
- See Option -43 for 55 watt version.

#### Ballast

- Electronic high frequency generator.
- 120 volt standard.
- For 240 volt, specify Option -97.

#### Fuse

- Fused primary standard. Renewable Serviceable from J-box.

#### Reflector

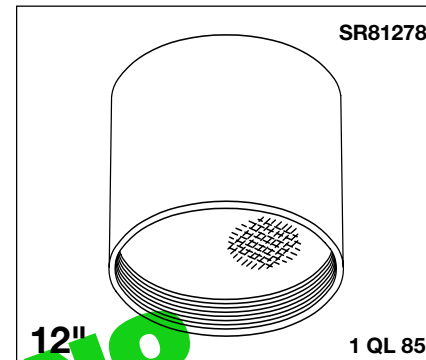
- Specular Alzak® aluminum.

#### Trim Assembly

- Seamless tapered black OptiGroove with white flange. Self-flanged trim.
- Regressed, prismatic, tempered low brightness C#73 spread distribution lens.
- Torsion springs retain snug fit to ceiling.
- White grooveless flare trim, flat trim or eggcrate louver available. See Options.
- Acrylic, polycarbonate, Anopal, clear, fresnel or Holophane lens available. See Options.

#### Housing

- Seamless, white acrylic enameled aluminum.
- No visible cylinder hardware.
- Cool: Dissipates heat across entire surface area.
- Rustproof: Exceeds 1000 hour ASTM 5% salt spray test.



12" 6,000 Initial Lumens  
1 QL 85

#### Installation

- Center point mounting with snug fit to ceiling.
- Indoor or outdoor for covered ceiling use.
- Collar for mounting beneath surface outlet box available. (Option -80)
- Pendant mount available. (Option -PM)
- Wall bracket mount available. (Option -WB)

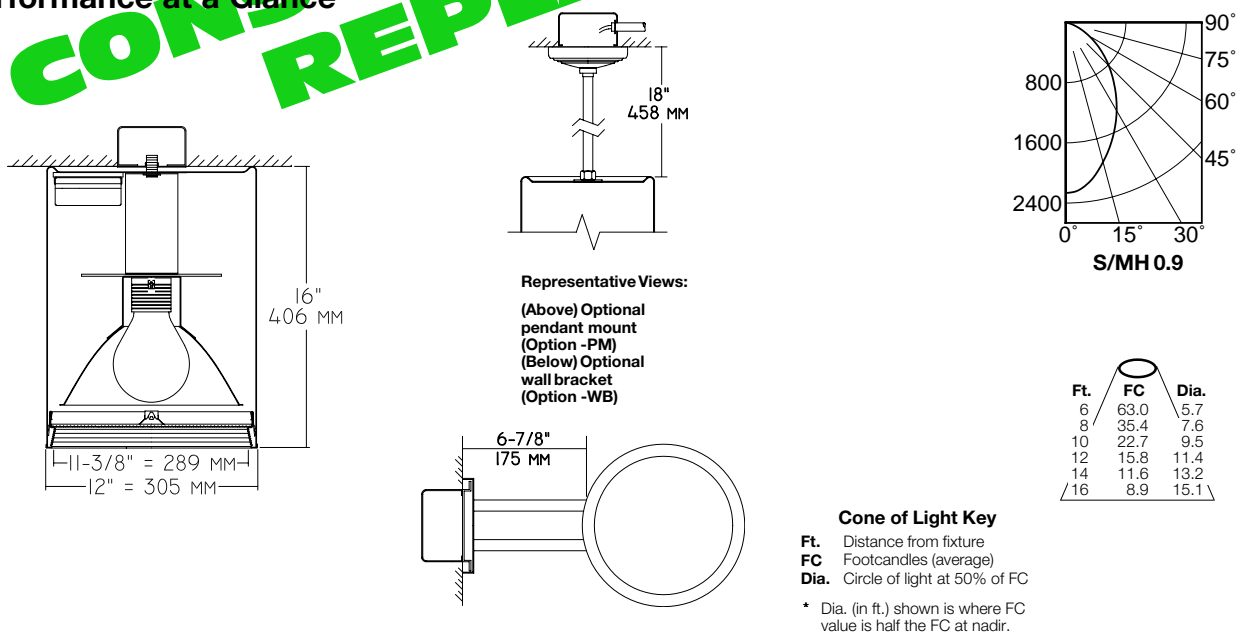
#### UL, C-UL (Canada) Listings

- Wet, damp or dry locations, covered ceilings. (See Option -89)

#### Three Year Limited Warranty

- Complete standard fixture.

### Performance at a Glance



## THE KIRLIN COMPANY

3401 EAST JEFFERSON AVENUE • DETROIT, MICHIGAN 48207-4232  
(313) 259-6400 • Fax: (313) 259-9409 OR (313) 259-3121 • www.kirlinlighting.com

SECOND CENTURY SERIES  
QL INDUCTION LIGHTING

VOLTAGE

MAXIMUM WATTAGE

CATALOG NUMBER

120V

QL 85

SR81278

DUE TO OUR CONTINUING EFFORT TO IMPROVE PRODUCTS, TECHNICAL INFORMATION IS SUBJECT TO CHANGE WITHOUT NOTICE.

Alzak® is a registered trademark of ALCOA.

## SR81479

## SURFACE ROUND: 165 WATT (MAXIMUM) QL INDUCTION

### Detailed Photometry - Installed Fixture

# PRELIMINARY

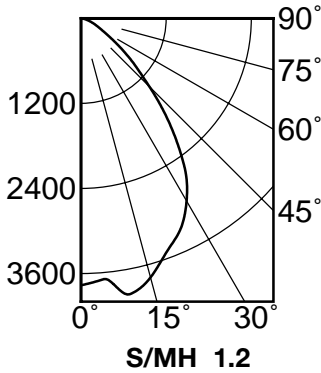
SR81479

(165 Watt)

EFFICIENCY = 53.6%

\*LER = 37.0

•AEC = \$6.48



CANDLEPOWER DISTRIBUTION

	0.0	45.0	90.0	135.0	180.0
0	3766	3766	3766	3766	3766
5	3693	3693	3693	3693	3693
15	3784	3784	3784	3784	3784
25	3300	3300	3300	3300	3300
35	2533	2533	2533	2533	2533
45	1363	1363	1363	1363	1363
55	586	586	586	586	586
65	233	233	233	233	233
75	78	78	78	78	78
85	1	1	1	1	1
90	0	0	0	0	0

COEFFICIENTS OF UTILIZATION

RF	20						
	80				50		
	RW	70	50	30	10	50	30
1	60	58	56	55	54	53	52
2	56	52	50	47	50	47	46
3	52	47	44	41	45	43	40
4	48	43	39	37	41	38	36
5	45	39	36	33	38	35	32
6	42	36	32	29	35	31	29
7	39	33	29	27	32	29	26
8	37	31	27	24	30	26	24
9	35	28	25	22	28	24	22
10	33	26	23	20	26	22	20

• AEC = Annual Energy Cost per 1000 lumens (based on 3000 hours use @ \$0.08 KWH).

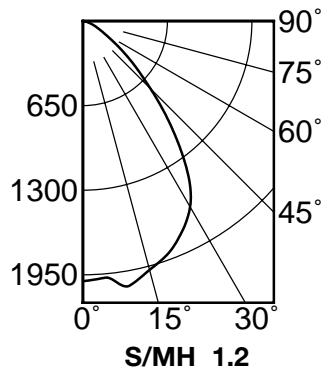
SR81479-43

(85 Watt)

EFFICIENCY = 57.8%

\*LER = 38.8

•AEC = \$6.19



CANDLEPOWER DISTRIBUTION

	0.0	45.0	90.0	135.0	180.0
0	1999	1999	1999	1999	1999
5	1979	1979	1979	1979	1979
15	1980	1980	1980	1980	1980
25	1794	1794	1794	1794	1794
35	1395	1395	1395	1395	1395
45	735	735	735	735	735
55	310	310	310	310	310
65	121	121	121	121	121
75	41	41	41	41	41
85	0	0	0	0	0
90	0	0	0	0	0

COEFFICIENTS OF UTILIZATION

RF	20						
	80				50		
	RW	70	50	30	10	50	30
1	64	62	60	59	59	57	56
2	60	56	53	51	53	51	49
3	56	51	48	45	49	46	44
4	52	47	43	39	45	41	39
5	49	43	38	35	41	37	35
6	45	39	35	32	38	34	31
7	42	36	32	29	35	31	28
8	40	33	29	26	32	28	26
9	37	31	27	24	30	26	24
10	35	29	25	22	28	24	22

\* LER = Luminaire Efficiency Rating  
LER = Luminaire Effic. x Total Lamp Lumens x Ballast Factor  
Input Watts

### Options

- 13 Clear 1/8" flat polycarbonate below, with prismatic flat C#73 lens above.
- 17 3/16" prismatic high strength acrylic instead.
- 18 Anopal flat glass. Not enameled. Diffusing.
- 20 White 1/2" cube eggcrate aluminum louver.
- 21 White translucent flat polycarbonate instead.
- 28 UV absorbing clear tempered glass instead.
- 35 Silver enameled luminaire finish instead.
- 36 Gold enameled luminaire finish instead.
- 37 Dark Bronze enameled luminaire finish instead.
- 38 Black enameled luminaire finish instead.
- 40 White grooveless flare trim with regressed tempered prismatic C#73 glass lens or specify optional lens.

- 43 Lower wattage. Specify QL85 or 55 watt instead. **120 volt standard or add -97.**
- 45 Gasket between trim and housing.
- 46 Gasket between trim and lens.
- 54 Safety cable through pendant stem. 12" longer than specified stem length. Anchored to fixture. Use with Option -PM.
- 80 2" extension collar for mounting luminaire beneath surface outlet box. Finish matches housing color.
- 87 Custom -PM length. Specify up to 4 feet or consult factory. Use with Option -PM.
- 88 Swivel canopy for sloped ceilings up to 45°. Earthquake rated. Use with Option -PM.
- 89 Sealed top feature prevents moisture and insect intrusion in outdoor or high humidity areas. Use with Option -PM or -WB.

- 94 Custom color trim assembly or luminaire. Specify parts. Consult factory.
- 97 Other voltage ballast instead: 240 volt only.
- 99 Special modification. Consult factory.
- FR Fresnel tempered lens. Concentric prisms.
- 40 White grooveless flare trim with regressed tempered prismatic C#73 glass lens or specify optional lens.
- FT Flat white trim instead. With tempered prismatic C#73 glass lens or specify optional lens.
- LT With 4000°K lamp instead of standard 3000°K lamp.
- PM Pendant mount instead. 3/8" T.S. x 18" or see Option -87. Also see Options -88 and -89.
- WB Wall bracket mount instead. Also see -89.

### SUBMITTAL DATA

### APPROVAL STAMP

JOB NAME \_\_\_\_\_

TYPE \_\_\_\_\_

WATTAGE \_\_\_\_\_ VOLTAGE \_\_\_\_\_

CATALOG NUMBER \_\_\_\_\_

LIMITED WARRANTY: CATALOGED KIRLIN FIXTURES ARE WARRANTED FREE OF DEFECTS IN WORKMANSHIP OR MATERIAL FOR THREE YEARS FROM DATE OF PURCHASE. INSTALL LED TON E.C. IN NORMAL USE. Manufacturer at his option will replace or repair such fixture or refund the purchase price on presentation of proof of purchase and defective fixture at the office of manufacturer within the year of original shipment. Liability of manufacturer is limited to the foregoing, and manufacturer shall not be liable for any other damages, direct or indirect, sustained or suffered by purchaser or any person. This warranty is supplied on the purchase of a fixture. Other warranties, expressed or implied, Seller does not warrant as to merchantability or fitness for a particular use, nor liability or statement constitute a warranty or amend this specific warranty. Abnormal use, abuse of the fixture, improper installation, or repair, or modification of the fixture without prior written authorization from the manufacturer will void this warranty only.

## Maximum Wattage QL Induction Regressed Lens Cylinder

# PRELIMINARY

### Features

#### Lamp (Included)

- 1 vertical QL 165 watt (by Philips).
- Electrode-less induction lamp with Power Coupler.
- 3000°K standard. Add Option -LT for 4000°K.
- Resistant to voltage fluctuation.
- Flicker-free instant-on, high light output, excellent color rendering (>80 CRI).
- Vibration resistant.
- Extra long 100,000 hour life.
- Indoor or outdoor use. -30°F rated.
- High efficiency with low operating costs.
- See Option -43 for lower wattage versions.

#### Ballast

- Electronic high frequency generator.
- 277 volt standard. (120 volt standard for 85 or 55 watt versions)
- For 240 volt, specify Option -97.

#### Fuse

- Fused primary standard. Renewable. Serviceable from J-box.

#### Reflector

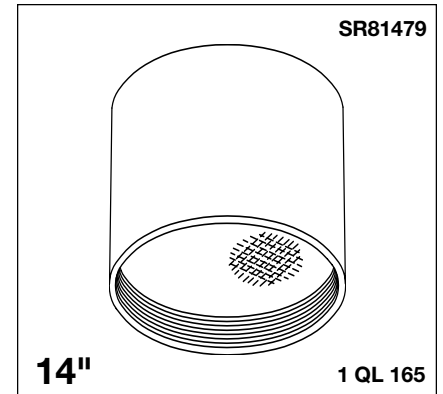
- Specular Alzak® aluminum.

#### Trim Assembly

- Seamless tapered black OptiGroove with white flange. Self-flanged trim.
- Regressed, prismatic, tempered low brightness C#73 spread distribution lens.
- Torsion springs retain snug fit to ceiling.
- White grooveless flare trim, flat trim or eggcrate louver available. See Options.
- Acrylic, polycarbonate, Anopal, clear, fresnel or Holophane lens available. See Options.

#### Housing

- Seamless, white acrylic enameled aluminum.
- No visible cylinder hardware.
- Cool: Dissipates heat across entire surface area.
- Rustproof: Exceeds 1000 hour ASTM 5% salt spray test.



**12,000 Initial Lumens**

#### Installation

- Center point mounting with snug fit to ceiling.
- Indoor or outdoor for covered ceiling use.
- Collar for mounting beneath surface outlet box available. (Option -80)
- Pendant mount available. (Option -PM)
- Wall bracket mount available. (Option -WB)

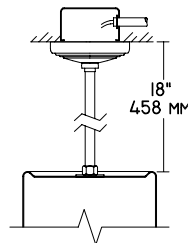
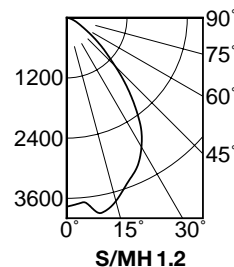
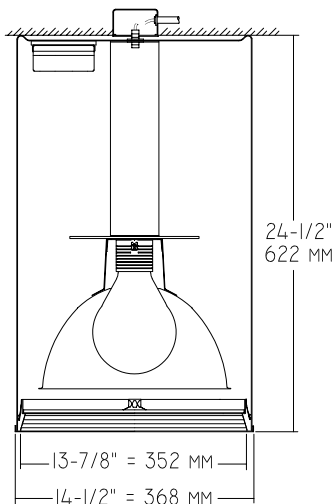
#### UL, C-UL (Canada) Listings

- Wet, damp or dry locations, covered ceilings. (See Option -89)

#### Three Year Limited Warranty

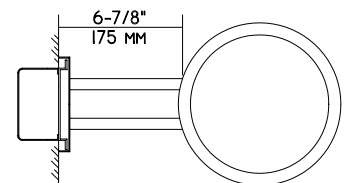
- Complete standard fixture.

### Performance at a Glance



#### Representative Views:

- (Above) Optional pendant mount (Option -PM)
- (Below) Optional wall bracket (Option -WB)



## THE KIRLIN COMPANY

3401 EAST JEFFERSON AVENUE • DETROIT, MICHIGAN 48207-4232  
(313) 259-6400 • Fax: (313) 259-9409 or (313) 259-3121 • www.kirlinlighting.com

VOLTAGE

MAXIMUM WATTAGE

CATALOG NUMBER

**SECOND CENTURY SERIES  
QL INDUCTION LIGHTING**

**277V**

**QL 165**

**SR81479**

DUE TO OUR CONTINUING EFFORT TO IMPROVE PRODUCTS, TECHNICAL INFORMATION IS SUBJECT TO CHANGE WITHOUT NOTICE.

Alzak® is a registered trademark of ALCOA.

**RR80980**

**RECESSED ROUND: 85 WATT (MAXIMUM) QL INDUCTION**



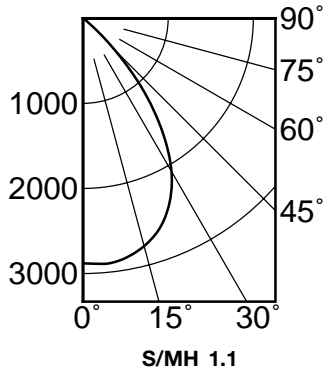
**Detailed Photometry - Installed Fixture**

FROM I.T.L. (BOULDER, CO) RR80980: TEST No. 51091  
RR80980-64: TEST No. 51090

**RR80980 (SofTex)**

**EFFICIENCY = 60.3%**

**\*LER = 48.5 •AEC = \$4.95**



**CANDLEPOWER DISTRIBUTION**

	0.0	22.5	45.0	67.5	90.0
0	2879	2879	2879	2879	2879
5	2897	2897	2897	2897	2897
15	2772	2772	2772	2772	2772
25	2400	2400	2400	2400	2400
35	1624	1624	1624	1624	1624
45	521	521	521	521	521
55	27	27	27	27	27
65	10	10	10	10	10
75	6	6	6	6	6
85	2	2	2	2	2
90	0	0	0	0	0

**COEFFICIENTS OF UTILIZATION**

RF	20						
	80			50			
	70	50	30	10	50	30	10
RC							
RW							
1	68	66	65	63	63	62	61
2	65	61	59	57	58	56	55
3	61	57	54	51	54	52	50
4	58	53	49	46	51	48	45
5	54	49	45	42	47	44	42
6	51	45	41	39	44	41	38
7	48	42	38	36	41	38	35
8	46	39	36	33	38	35	33
9	43	37	33	31	36	33	30
10	41	35	31	28	34	31	28

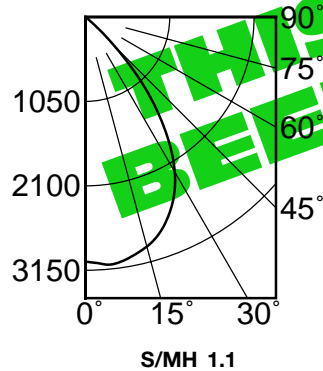
**• AEC = Annual Energy Cost per 1000 lumens (based on 3000 hours use @ \$0.08 KWH).**

**RR80980-64**

**(Clear Essence Alzak®)**

**EFFICIENCY = 63.5%**

**\*LER = 51.0 •AEC = \$4.71**



**CANDLEPOWER DISTRIBUTION**

	0.0	45.0	90.0	135.0	180.0
0	3042	3042	3042	3042	3042
5	3092	3092	3092	3092	3092
15	2956	2956	2956	2956	2956
25	2561	2561	2561	2561	2561
35	1744	1744	1744	1744	1744
45	523	523	523	523	523
55	7	7	7	7	7
65	4	4	4	4	4
75	2	2	2	2	2
85	0	0	0	0	0
90	0	0	0	0	0

**COEFFICIENTS OF UTILIZATION**

RF	20						
	80			50			
	70	50	30	10	50	30	10
RC							
RW							
1	72	70	68	67	66	65	64
2	68	65	62	60	62	60	58
3	64	60	57	54	57	55	53
4	61	56	52	49	53	50	48
5	57	52	48	45	50	47	44
6	54	48	44	41	47	43	41
7	51	45	41	38	44	40	38
8	48	42	38	35	41	37	35
9	46	39	35	32	38	35	32
10	43	37	33	30	36	32	30

**\* LER = Luminaire Efficiency Rating**  
LER = Luminaire Effic. x Total Lamp Lumens x Ballast Factor / Input Watts

**THIS FIXTURE HAS BEEN REPLACED BY SOME NEWER DESIGNS. FEATURES OR OPTIONS MAY HAVE CHANGED.**

**Estimated Multipliers**

- 30 White: CP x .90
- 71 SofTex Dune: CP x .87
- 72 Black Alzak: CP x .77
- 77 SofTex Pewter: CP x .87
- 90 SofTex Champagne Gold: CP x .90
- 91 SofTex Wheat: CP x .88

**Options**

- 30 White lower reflector, self-flanged.
- 31 White flange (only) on lower reflector.
- 32 Trim extender. Broadens flange O.D. by 1" to cover larger ceiling opening.
- 43 Lower wattage. QL 55 watt system instead.
- 45 Gasket above reflector flange.
- 64 Essence™ Clear specular Alzak self-flanged lower reflector.
- 71 SofTex Dune self-flanged lower reflector. (CP x .87)
- 72 Black specular Alzak self-flanged lower reflector. (CP x .77)
- 77 SofTex Pewter self-flanged lower reflector. (CP x .87)
- 82 Sloped ceiling adapter. Specify slope in 5° increments up to 30°.
- 90 SofTex Champagne Gold self-flanged lower reflector. (CP x .90)
- 91 SofTex Wheat self-flanged lower reflector. (CP x .88)
- 94 Custom color self-flanged lower reflector. Consult factory.
- 97 Other voltage ballast instead: 240 volt only.
- 99 Special modification. Consult factory.
- LT With 4000°K lamp instead of standard 3000°K lamp.

**SUBMITTAL DATA**

**APPROVAL STAMP**

JOB NAME \_\_\_\_\_

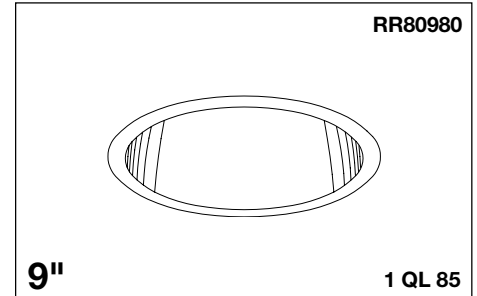
TYPE \_\_\_\_\_

WATTAGE \_\_\_\_\_ VOLTAGE \_\_\_\_\_

CATALOG NUMBER \_\_\_\_\_

LIMITED WARRANTY: CATALOGUED KIRLIN FIXTURES ARE WARRANTED FREE OF DEFECTS IN WORKMANSHIP OR MATERIAL FOR THREE YEARS FROM DATE OF PURCHASE. INSTALLATION, E.C., IN NORMAL USE. Manufacturer at his option will replace or repair such fixture or refund the purchase price on presentation of proof of purchase and defective fixture at the office of manufacturer within the year of original shipment. Liability of manufacturer shall not be liable for any other damages, direct or indirect, sustained or suffered by purchaser or any person. This warranty is supplied on the understanding that other warranties expressed or implied. Seller does not warrant as to merchantability or fitness for a particular use. A written or statement constitute a warranty of amend the specific warranty. Abnormal use, abuse of the fixture, improper installation, or repair, or modification of the fixture without prior written authorization from the manufacturer will void this warranty only.

# Open Downlight QL Induction Lamp Luminaire



### Features

#### Lamp (Included)

- 1 vertical QL 85 watt (by Philips).
- Electrode-less induction lamp with Power Coupler.
- Extra long 100,000 hour life.
- Flicker-free instant-on, high light output, excellent color rendering (>80 CRI).
- Indoor or outdoor use. -30°F rated.
- 3000°K standard. Add Option -LT for 4000°K.
- High efficiency with low operating costs.
- Resistant to voltage fluctuation.
- Vibration resistant.
- See Option -43 for 55 watt version.

#### Ballast

- Electronic high frequency generator.
- 120 volt standard.
- For 240 volt, specify Option -97.

#### Fuse

- Fused primary standard. Renewable. Serviceable from J-box.

#### Reflector

- Clear specular Alzak® aluminum upper reflector.

- SofTex softly etched aluminum lower reflector. Self-flanged. Non-iridescent. Resists fingerprints, smudges, dust.
- Optional SofTex Dune, Champagne Gold, Pewter or Wheat; or all white, clear Essence™ (Option -64) or Black specular Alzak lower reflectors.

#### Housing

- Acrylic enameled aluminum.
- Cool: Dissipates heat across entire surface area. Ventilated.
- Rustproof: Exceeds 1000-hour ASTM 5% salt spray test.
- Entire luminaire serviced through removable reflectors.
- Prewired outlet box, 14GA (NEC) galvanized steel. UL listed. Accessible through fixture opening.
- Built-in plaster frame.

#### Installation

- 27" hanger bars supplied (2).
- Fully adjustable universal mounting brackets supplied (2).
- Recesses indoor or outdoor in covered locations.

**100,000 Hour  
Maintenance-free Operation**

**Constant Light Output  
Indoor / Outdoor**

**Attractive Architectural Design**

**Available in 55 Watt QL (Option -43)**

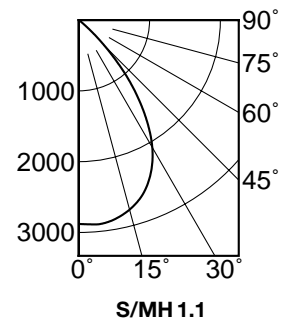
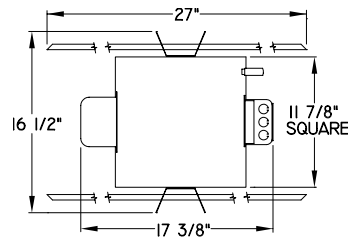
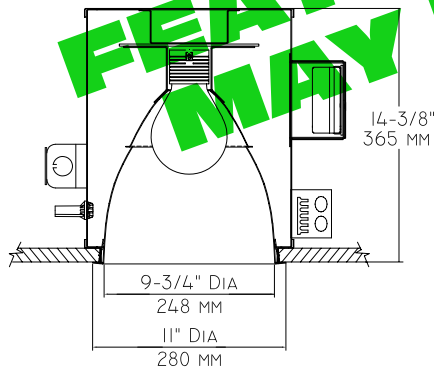
#### UL, C-UL (Canada) Listings

- Damp or dry locations, covered ceilings.
- Through-branch circuit conductors (6 #12).

#### Three Year Limited Warranty

- Complete standard fixture.
- **Thermal Protection (Per Current NEC)**
- Thermal protector included.

### Performance at a Glance



#### Cone of Light Key

- Ft.** Distance from fixture
- FC** Footcandles (average)
- Dia.** Circle of light at 50% of FC

\* Dia. (in ft.) shown is where FC value is half the FC at nadir.

Ft.	FC	Dia.
6	80.0	6.6
8	45.0	8.9
10	28.8	11.1
12	20.0	13.3
14	14.7	15.5
16	11.2	17.7

## THE KIRLIN COMPANY

3401 EAST JEFFERSON AVENUE • DETROIT, MICHIGAN 48207-4232  
(313) 259-6400 • Fax: (313) 259-9409 OR (313) 259-3121 • www.kirlinlighting.com

VOLTAGE

MAXIMUM WATTAGE

CATALOG NUMBER

**SECOND CENTURY SERIES  
QL INDUCTION LIGHTING**

**120V**

**QL 85**

**RR80980**

DUE TO OUR CONTINUING EFFORT TO IMPROVE PRODUCTS, TECHNICAL INFORMATION IS SUBJECT TO CHANGE WITHOUT NOTICE.

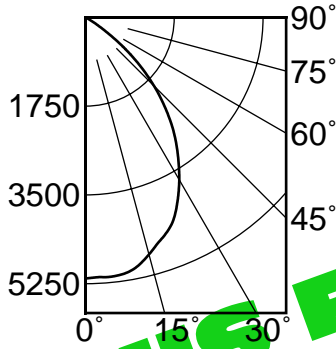
Alzak® is a registered trademark of ALCOA.

Detailed Photometry - Installed Fixture

FROM I.T.L. (BOULDER, CO) TEST NUMBER 54799

9906364

\*LER = 44.5  
•AEC = \$5.39



SC 1.1  
EFFICIENCY = 64.5%

CANDLEPOWER DISTRIBUTION

	0.0	22.5	45.0	67.5	90.0
0	5146	5146	5146	5146	5146
5	5138	5138	5138	5138	5138
15	4839	4839	4839	4839	4839
25	4214	4214	4214	4214	4214
35	3145	3145	3145	3145	3145
45	1914	1914	1914	1914	1914
55	533	533	533	533	533
65	13	13	13	13	13
75	4	4	4	4	4
85	0	0	0	0	0
90	0	0	0	0	0

\* LER = Luminaire Efficiency Rating  
LER = Luminaire Effic. x Total amp. Lumens x Ballast Factor  
Input Watts

COEFFICIENT OF UTILIZATION

RW	20					30				
	70	80	90	100	110	120	130	140	150	
1	73	71	69	67	67	65	64	63	62	
2	68	65	61	59	61	59	57	56	55	
3	64	59	55	52	56	53	51	50	49	
4	60	54	50	47	52	48	46	45	44	
5	56	50	45	42	48	44	41	40	39	
6	52	46	41	38	44	40	37	36	35	
7	49	42	38	34	41	37	34	33	32	
8	46	39	35	31	38	34	31	30	29	
9	44	36	32	29	35	31	29	28	27	
10	41	34	29	27	33	29	26	25	24	

AEC = Annual Energy Cost per  
100 lum. hr. (based on 3000  
hrs. use) = \$0.08 KWH.

**THIS FIXTURE HAS BEEN REPLACED BY QRR-11080 SOME DESIGN FEATURES MAY HAVE CHANGED**

Options

- 31 White flange (only) on reflector.
- 32 Trim extender. Broadens flange O.D. by 1" to cover larger ceiling opening.
- 45 Gasket above reflector flange.
- 82 Sloped ceiling adapter. Specify slope in 5° increments up to 30°.
- 94 Custom color self-flanged reflector. Consult factory.
- 97 Other voltage ballast instead: consult factory.
- 99 Special modification. Consult factory.
- LT With 4000°K lamp instead of standard 3000°K lamp.

SUBMITTAL DATA

APPROVAL STAMP

JOB NAME \_\_\_\_\_

TYPE \_\_\_\_\_

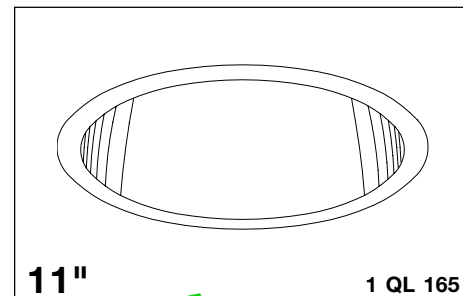
WATTAGE \_\_\_\_\_ VOLTAGE \_\_\_\_\_

CATALOG NUMBER \_\_\_\_\_

LIMITED WARRANTY: CATALOGED KIRLIN FIXTURES ARE WARRANTED FREE OF DEFECTS IN WORKMANSHIP OR MATERIAL FOR THREE YEARS FROM DATE OF PURCHASE. INSTALLATION, E.C., IN NORMAL USE. Manufacturer at his option will replace or repair such fixture or refund the purchase price on presentation of proof of purchase and defective fixture at the offices of manufacturer within the first year of original shipment. Liability of manufacturer shall not be liable for any other damages, direct or indirect, sustained or suffered by purchaser or any person. This warranty is supplied for the fixture in place of all other warranties, expressed or implied. Seller does not warrant as to merchantability or fitness for a particular use, nor liability or statement constitute a warranty or amend this specific warranty. Abnormal use, abuse of fixture, improper installation, or repair, or modification of the fixture without prior written authorization from the manufacturer will void the warranty void.



## 165 Watt QL Induction Open Downlight



### Features

#### Lamp (Included)

- 1 vertical QL 165 watt (by Philips).
- Electrode-less induction lamp with Power Coupler.
- Extra long 100,000 hour life.
- Extruded aluminum heat sink to maximize dissipation of heat from lamp base.
- Flicker-free instant-on, high light output, excellent color rendering (>80 CRI).
- Indoor or outdoor use. -30°F rated.
- 3000°K standard. Add Option -LT for 4000°K.
- High efficiency with low operating costs.
- Resistant to voltage fluctuation.
- Vibration resistant.

#### Generator

- Electronic high frequency generator.
- 277 volt standard. For 120 volt or 240 volt, see Option -97.

#### Fuse

- Fused primary standard. Renewable. Serviceable from J-box.

#### Reflector

- Low iridescence (L.I.) specular Alzak® aluminum, one piece, self-flanged.

#### Housing

- Acrylic enameled aluminum.
- Cool: Dissipates heat across entire surface area.
- Rustproof: Exceeds 1000 hour ASTM 5% salt spray test.
- Lightweight: Minimizes ceiling load.
- Entire luminaire serviced through aperture.
- Built-in plaster frame.
- Prewired outlet box: 14GA (NEC) galvanized steel. UL listed. Accessible through fixture opening.

**100,000 Hour  
Maintenance-free Operation**

**Constant Light Output  
Indoor / Outdoor**

#### Installation

- 27" galvanized hanger bars with adjustable mounting brackets (2) supplied.
- Recesses indoor or outdoor in covered locations.

#### UL, C-UL (Canada) Listings

- Damp or dry locations, covered ceilings.
- Through branch circuit conductors (6 #12).

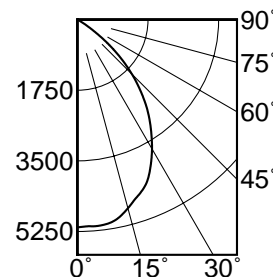
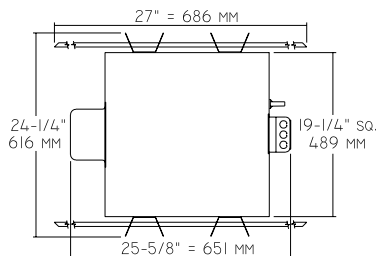
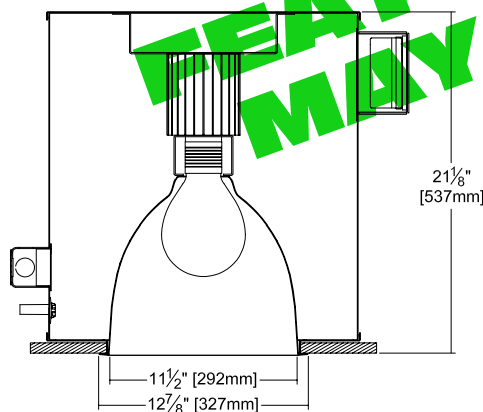
#### Three Year Limited Warranty

- Complete standard fixture.

#### Thermal Protection (Per Current NEC)

- Thermal protector included.

### Performance at a Glance



**SC 1.1  
EFFICIENCY: 64.5%**

Ft.	FC	Dia.
6	142.9	6.6
8	80.4	8.8
10	51.5	11.0
12	35.7	13.2
14	26.3	15.4
16	20.1	17.6

#### Cone of Light Key

- Ft.** Distance from fixture
  - FC** Footcandles (average)
  - Dia.** Circle of light at 50% of FC
- \* Dia. (in ft.) shown is where FC value is half the FC at nadir.

## THE KIRLIN COMPANY

3401 EAST JEFFERSON AVENUE • DETROIT, MICHIGAN 48207-4232  
(313) 259-6400 • Fax: (313) 259-9409 OR (313) 259-3121 • www.kirlinlighting.com

VOLTAGE

MAXIMUM WATTAGE

CATALOG NUMBER

**SECOND CENTURY SERIES  
QL INDUCTION LIGHTING**

**277V**

**QL 165**

**9906364**

DUE TO OUR CONTINUING EFFORT TO IMPROVE PRODUCTS, TECHNICAL INFORMATION IS SUBJECT TO CHANGE WITHOUT NOTICE.

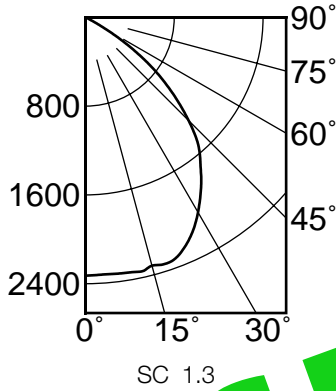
Alzak® is a registered trademark of ALCOA.

Detailed Photometry - Installed Fixture

FROM I.T.L. (BOULDER, CO) TEST NUMBER 55051

9906401

\*LER = 51.6  
\*AEC = \$4.65



EFFICIENCY = 77.0%

CANDLEPOWER DISTRIBUTION

	0.0	22.5	45.0	67.5	90.0
0	2327	2327	2327	2327	2327
5	2323	2323	2323	2323	2323
15	2316	2316	2316	2316	2316
25	2209	2209	2209	2209	2209
35	1819	1819	1819	1819	1819
45	1314	1314	1314	1314	1314
55	599	599	599	599	599
65	17	17	17	17	17
75	3	3	3	3	3
85	1	1	1	1	1
90	0	0	0	0	0

\* LER = Luminaire Efficiency Rating  
LER = Luminaire Effic. x Total Lamp Lumens x Ballast Factor  
Input Watts

COEFFICIENTS OF UTILIZATION

Room	RC	50	50	50	50
1	86	84	81	79	77
2	81	76	72	69	66
3	75	69	64	60	59
4	70	62	57	53	52
5	65	57	51	47	46
6	60	52	46	42	41
7	56	47	42	38	37
8	53	44	38	34	34
9	49	40	35	31	31
10	46	37	32	28	28

\* AEC = Annual Energy Cost per 1000 lumens (1 ft. x 1 ft. on 3000 hours) (in \$/yr. on 3000 hrs.)

**THIS FIXTURE HAS BEEN REPLACED BY QSR-12083 SOME DESIGN OPTIONS MAY HAVE CHANGED**

Estimated Multipliers

- 30 White: CP x .90
- 71 SofTex Dune: CP x .87
- 77 SofTex Pewter: CP x .87
- 90 SofTex Champagne Gold: CP x .90
- 91 SofTex Wheat: CP x .88

Options

- 30 White reflector, self-flanged.
- 31 White flange (only) on reflector.
- 35 Natural aluminum enameled luminaire finish instead.
- 36 Gold enameled luminaire finish instead.
- 37 Dark Bronze enameled luminaire finish instead.
- 38 Black enameled luminaire finish instead.
- 54 Safety cable through pendant stem. 12" longer than specified stem length. Anchored to fixture. Use with Option -PM.
- 71 SofTex Dune self-flanged reflector. (CP x .87)
- 77 SofTex Pewter self-flanged reflector. (CP x .87)
- 80 2" extension collar for mounting luminaire beneath surface outlet box. Finish matches housing color.
- 87 Custom -PM length. Specify up to 4 feet or consult factory. Use with Option -PM.
- 88 Swivel canopy for sloped ceilings up to 45°. Earthquake rated. Use with Option -PM.
- 89 Sealed top feature prevents moisture and insect intrusion in outdoor or high humidity areas. Use with Option -PM or -WB.
- 90 SofTex Champagne Gold self-flanged reflector. (CP x .90)
- 91 SofTex Wheat self-flanged reflector. (CP x .88)
- 94 Custom color/finish. Specify. Consult factory.
- 97 Other voltage ballast instead: 240 volt only.
- 99 Special modification. Consult factory.
- LT With 4000°K lamp instead of standard 3000°K lamp.
- PM Pendant mount instead. 3/8" T.S. x 18" or see Option -87. Also see Options -88 and -89.
- WB Wall bracket mount instead. Also see -89.

SUBMITTAL DATA

APPROVAL STAMP

JOB NAME \_\_\_\_\_

TYPE \_\_\_\_\_

WATTAGE \_\_\_\_\_ VOLTAGE \_\_\_\_\_

CATALOG NUMBER \_\_\_\_\_

LIMITED WARRANTY: CATALOGUED KIRLIN FIXTURES ARE WARRANTED FREE OF DEFECTS IN WORKMANSHIP OR MATERIAL FOR THREE YEARS FROM DATE OF PURCHASE. INSTALLATION, ETC., IS NORMAL USE. Manufacturer at his option will replace or repair such fixture or refund the purchase price on presentation of proof of purchase and defective fixture at the office of manufacturer within the warranty period. Liability of manufacturer is limited to the foregoing, and manufacturer shall not be liable for any other damages, direct or indirect, sustained or suffered by purchaser or any person. This warranty is supplied for the buyer's place of purchase and other warranties, expressed or implied, seller does not warrant as to merchantability or fitness for a particular use, nor warranty of statement constitute a warranty or amend the specific warranty. Abnormal use, abuse of the fixture, improper installation, or repair, or modification of the fixture without prior written authorization from the manufacturer will void the warranty void.



## 85 Watt QL Induction Open Flare Cylinder

### Features (Included)

- 1 vertical QL 85 watt (by Philips).
- Electrode-less induction lamp with Power Coupler.
- Extra long 100,000 hour life.
- Flicker-free instant-on, high light output, excellent color rendering (>80 CRI).
- Indoor or outdoor use. -30°F rated.
- 3000°K standard. Add Option -LT for 4000°K.
- High efficiency with low operating costs.
- Resistant to voltage fluctuation.
- Vibration resistant.

### Ballast

- Electronic high frequency generator.
- 120 volt standard.
- For 240 volt, specify Option -97.

### Fuse

- Fused primary standard. Renewable.
- Serviceable from J-box.

### Reflector

- Low iridescence (L.I.) specular Alzak® aluminum, one piece, self-flanged.
- Optional SofTex Dune, Champagne

Gold, Pewter or Wheat; or all white or Black specular Alzak reflectors.

### Housing

- Seamless, white acrylic enameled aluminum.
- No visible cylinder hardware.
- Cool: Dissipates heat across entire surface area.
- Rustproof: Exceeds 1000 hour ASTM 5% salt spray test.

### Installation

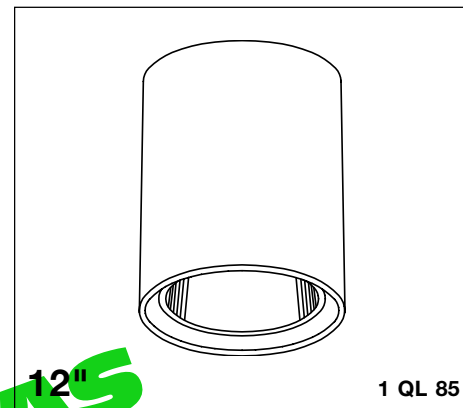
- Center point mounting with snug fit to ceiling.
- Indoor or outdoor for covered ceiling use.
- Collar for mounting beneath surface outlet box available. (Option -80)
- Pendant mount available. (Option -PM)
- Wall bracket mount available. (Option -WB)

### UL, C-UL (Canada) Listings

Damp or dry locations, covered ceilings. (See Option -89)

### Three Year Limited Warranty

- Complete standard fixture.

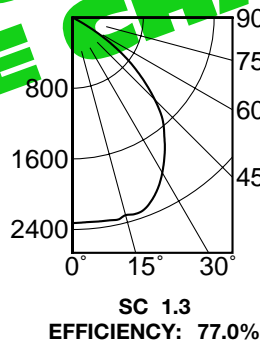
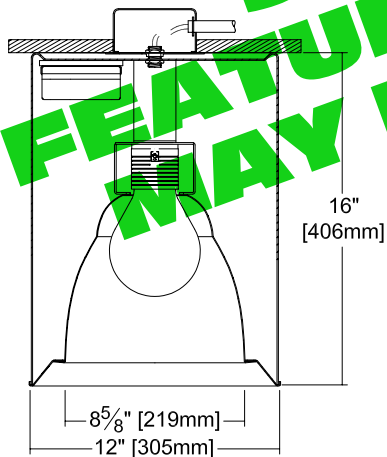


**100,000 Hour  
Maintenance-free Operation**

**Constant Light Output  
Indoor / Outdoor**

THIS FIXTURE HAS BEEN REPLACED BY QS 12033 SOME DESIGN FEATURES OR OPTIONS MAY HAVE CHANGED

### Performance at a Glance

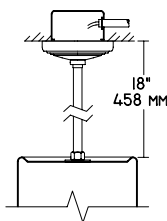


Ft.	FC	Dia.
6	64.6	7.6
8	36.4	10.1
10	23.3	12.7
12	16.2	15.2
14	11.9	17.7
16	9.1	20.3

### Cone of Light Key

- Ft.** Distance from fixture
- FC** Footcandles (average)
- Dia.** Circle of light at 50% of FC

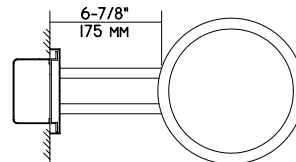
\* Dia. (in ft.) shown is where FC value is half the FC at nadir.



Representative Views:

(Left) Optional pendant mount (Option -PM)

(Right) Optional wall bracket (Option -WB)



## THE KIRLIN COMPANY

3401 EAST JEFFERSON AVENUE • DETROIT, MICHIGAN 48207-4232  
(313) 259-6400 • Fax: (313) 259-9409 OR (313) 259-3121 • www.kirlinlighting.com

VOLTAGE

MAXIMUM WATTAGE

CATALOG NUMBER

**SECOND CENTURY SERIES  
QL INDUCTION LIGHTING**

**277V**

**QL 85**

**9906401**

DUE TO OUR CONTINUING EFFORT TO IMPROVE PRODUCTS, TECHNICAL INFORMATION IS SUBJECT TO CHANGE WITHOUT NOTICE.

Alzak® is a registered trademark of ALCOA.

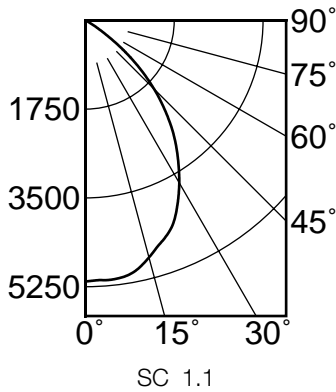
## QPR-15084

## PENDANT ROUND: 165 WATT (MAXIMUM) QL INDUCTION

### Detailed Photometry - Installed Fixture

FROM I.T.L. (BOULDER, CO) TEST NUMBER 54799

**QPR-15084** \*LER = 44.6  
 •AEC = \$5.39



EFFICIENCY = 64.5%

#### CANDLEPOWER DISTRIBUTION

	0.0	22.5	45.0	67.5	90.0
0	5146	5146	5146	5146	5146
5	5138	5138	5138	5138	5138
15	4839	4839	4839	4839	4839
25	4214	4214	4214	4214	4214
35	3145	3145	3145	3145	3145
45	1914	1914	1914	1914	1914
55	533	533	533	533	533
65	13	13	13	13	13
75	4	4	4	4	4
85	0	0	0	0	0
90	0	0	0	0	0

#### COEFFICIENTS OF UTILIZATION

RF	20						
	80			50			
	RW	70	50	30	10	50	30
1	73	71	69	67	67	65	64
2	68	65	61	59	61	59	57
3	64	59	55	52	56	53	51
4	60	54	50	47	52	48	46
5	56	50	45	42	48	44	41
6	52	46	41	38	44	40	37
7	49	42	38	34	41	37	34
8	46	39	35	31	38	34	31
9	44	36	32	29	35	31	29
10	41	34	29	27	33	29	26

\* LER = Luminaire Efficiency Rating  
 LER = Luminaire Effic. x Total Lamp Lumens x Ballast Factor  
 Input Watts

• AEC = Annual Energy Cost per  
 1000 lumens (based on 3000  
 hours use @ \$0.08 KWH).

### Options

#### Ballast, Wattage and Voltage

-97 Other voltage ballast instead. Consult factory.

#### Trims

-31 White acrylic enameled reflector flange.  
 -94 Custom color/finish. Specify. Consult factory.

#### Luminaire (Housing) Finishes

-35 Natural aluminum acrylic enamel.  
 -36 Gold acrylic enamel.  
 -37 Dark Bronze acrylic enamel.  
 -38 Black acrylic enamel.  
 -94 Custom color/finish. Specify. Consult factory.

#### Mounting

-54 Safety cable through pendant stem. 12" longer than specified stem length. Anchored to fixture.  
 -87 Custom pendant / wall bracket / cable length. Specify length.

-88 Swivel canopy for sloped ceilings up to 40°. Consult factory for higher angles.  
 -89 Sealed top WeatherCap. Required for wet label.  
 -WB Wall bracket mount. Option -89 required for wet label.

#### Other

-99 Special modification. Consult factory.  
 -LT With 4000°K lamp instead of standard 3000°K lamp.

### SUBMITTAL DATA

JOB NAME \_\_\_\_\_  
 TYPE \_\_\_\_\_  
 WATTAGE \_\_\_\_\_ VOLTAGE \_\_\_\_\_  
 CATALOG NUMBER \_\_\_\_\_  
 \_\_\_\_\_

### APPROVAL STAMP

LIMITED WARRANTY: CATALOGED KIRLIN FIXTURES ARE WARRANTED FREE OF DEFECTS IN WORKMANSHIP OR MATERIAL FOR THREE YEARS FROM DATE OF PURCHASE. INSTALLATION, ETC., IN NORMAL USE. Manufacturer at his option will replace or repair such fixture or refund the purchase price on presentation of proof of purchase and defective fixture at the office of manufacturer within three years of original shipment. Liability of manufacturer shall not be liable for any other damages, direct or indirect, sustained or suffered by purchaser or any person. This warranty is supplied for the fixture in place of all other warranties, expressed or implied. Seller does not warrant as to merchantability or fitness for a particular use. Abuse of the fixture, improper installation, or repair, or modification of the fixture without prior written authorization from the manufacturer will void the warranty void.

### 165 Watt QL Induction

#### Features

##### Lamp (Included)

- One vertical QL lamp vessel by Philips: 165 watt.
- High efficiency with low operating costs.
- Electrode-less induction lamp vessel with Power Coupler. Extra long 100,000 hour life.
- Extruded aluminum heat sink to maximize dissipation of heat from base.
- Flicker-free instant-on, high light output, excellent color rendering (>80 CRI). Constant color.
- Indoor or outdoor use. -30°F rated.
- 3000°K standard; add -LT for 4000°K.
- Resistant to voltage fluctuation and vibration.

##### Generator

- Electronic high frequency.
- 277 volt standard. For other voltages consult factory.

##### Fuse

- Fused primary standard. Replaceable. Serviceable from J-box.

##### Reflector

- Low iridescence (L.I.) specular Alzak® aluminum, one piece, self-flanged.

##### Housing

- Seamless, white acrylic enameled aluminum with interlocking flare.
- No visible cylinder hardware.
- Lightweight: Minimizes ceiling load.
- Cool operation: Extends component life.
- Rustproof: Exceeds 1000 hour ASTM 5% salt spray test.

##### Installation

- Pendant mount. 3/8" T.S. x 18".
- For custom length or swivel canopy for sloped ceilings, see Options -87, -88.
- Indoor or outdoor for covered ceiling use. Also see Option -89.
- Wall bracket mount available. See Option -89.

##### UL Listings

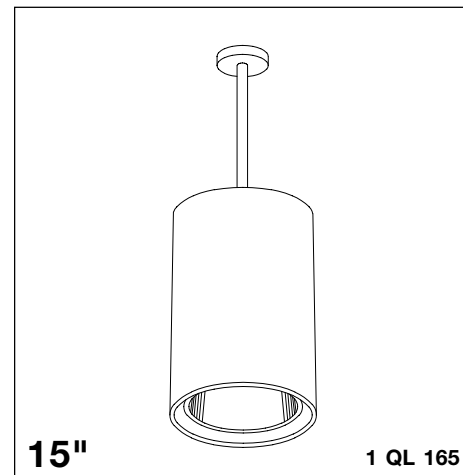
- Damp or dry locations, covered ceilings. (See Option -89)

##### Three Year Limited Warranty

- Complete standard fixture.

##### Thermal Protection (Per Current NEC)

- Thermal protector included..

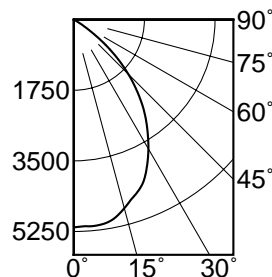
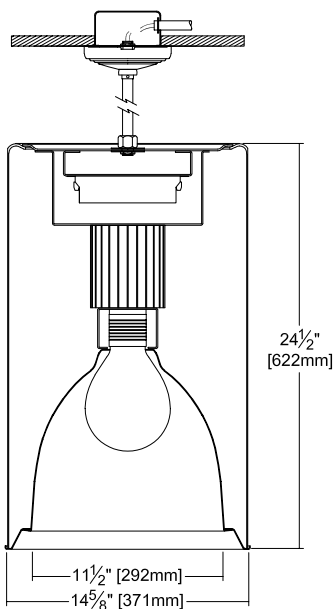


**100,000 Hour  
Maintenance-free Operation**

**Constant Light Output  
Indoor / Outdoor**

**Wall Bracket Optional**

#### Performance at a Glance



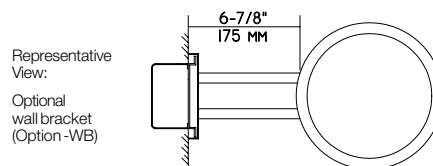
**SC 1.1  
EFFICIENCY: 64.5%  
ITL TEST 54799**

Ft.	FC	Dia.
6	142.9	6.6
8	80.4	8.8
10	51.5	11.0
12	35.7	13.2
14	26.3	15.4
16	20.1	17.6

##### Cone of Light Key

- Ft.** Distance from fixture
- FC** Footcandles (average)
- Dia.** Circle of light at 50% of FC

\* Dia. (in ft.) shown is where FC value is half the FC at nadir.



## THE KIRLIN COMPANY

3401 EAST JEFFERSON AVENUE • DETROIT, MICHIGAN 48207-4232  
(313) 259-6400 • Fax: (313) 259-9409 OR (313) 259-3121 • www.kirlinlighting.com

VOLTAGE

MAXIMUM WATTAGE

CATALOG NUMBER

**SECOND CENTURY SERIES  
QL INDUCTION LIGHTING**

**277V**

**QL 165**

**QPR-15084**

DUE TO OUR CONTINUING EFFORT TO IMPROVE PRODUCTS,  
TECHNICAL INFORMATION IS SUBJECT TO CHANGE WITHOUT NOTICE.

Alzak® is a registered trademark of ALCOA.

## SR81278

## SURFACE ROUND: 85 WATT (MAXIMUM) QL INDUCTION

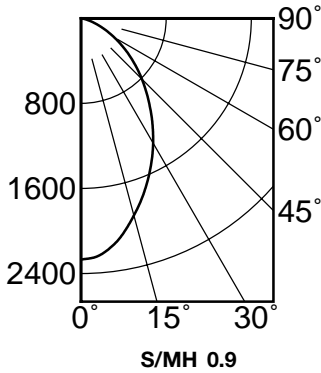
### Detailed Photometry - Installed Fixture

FROM I.T.L. (BOULDER, CO) SR81278 (85W): TEST No. 50722

**SR81278 (85 Watt)**

**EFFICIENCY = 59.6%**

**\*LER = 47.9 •AEC = \$5.01**



CANDLEPOWER DISTRIBUTION

	0.0	45.0	90.0	135.0	180.0
0	2268	2268	2268	2268	2268
5	2226	2226	2226	2226	2226
15	1919	1919	1919	1919	1919
25	1547	1547	1547	1547	1547
35	1163	1163	1163	1163	1163
45	809	809	809	809	809
55	499	499	499	499	499
65	242	242	242	242	242
75	67	67	67	67	67
85	0	0	0	0	0
90	0	0	0	0	0

COEFFICIENTS OF UTILIZATION

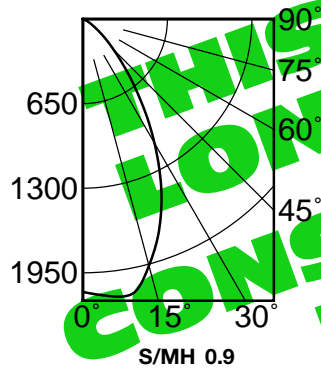
RF	20						
	80			50			
	70	50	30	10	50	30	10
RC							
RW							
1	66	64	62	60	60	59	58
2	62	58	54	51	54	52	50
3	57	52	48	44	49	46	43
4	53	47	42	39	45	41	38
5	49	42	38	34	41	37	34
6	46	39	34	31	37	33	30
7	43	36	31	28	34	30	27
8	40	33	28	25	32	28	25
9	38	30	26	23	29	26	23
10	35	28	24	21	27	24	21

\* AEC = Annual Energy Cost per 1000 lumens (based on 3000 hours use @ \$0.08 KWH).

**SR81278-43 (55 Watt)**

**EFFICIENCY = 66.2%**

**\*LER = 47.6 •AEC = \$5.04**



CANDLEPOWER DISTRIBUTION

	0.0	45.0	90.0	135.0	180.0
0	2097	2097	2097	2097	2097
5	2135	2135	2135	2135	2135
15	1962	1962	1962	1962	1962
25	1424	1424	1424	1424	1424
35	790	790	790	790	790
45	335	335	335	335	335
55	112	112	112	112	112
65	34	34	34	34	34
75	10	10	10	10	10
85	0	0	0	0	0
90	0	0	0	0	0

COEFFICIENTS OF UTILIZATION

RF	20						
	80			50			
	70	50	30	10	50	30	10
RC							
RW							
1	74	72	71	69	68	67	66
2	70	67	64	61	63	61	59
3	66	61	58	55	59	56	54
4	62	57	53	50	55	51	49
5	59	53	48	45	51	47	45
6	55	49	45	42	47	44	41
7	52	46	41	38	44	41	38
8	50	43	38	36	42	38	35
9	47	40	36	33	39	35	33
10	45	38	34	31	37	33	31

\* LER = Luminaire Efficiency Rating  
LER = Luminaire Effic. x Total Lamp Lumens x Ballast Factor / Input Watts

THIS FIXTURE IS NO LONGER AVAILABLE FOR CONSUMER REPLACEMENT

### Options

- 13 Clear 1/8" flat polycarbonate below, with prismatic flat C#73 lens above.
- 17 3/16" prismatic high strength acrylic instead.
- 18 Anopal flat glass. Not enameled. Diffusing.
- 20 White 1/2" cube eggcrate aluminum louver.
- 21 White translucent flat polycarbonate instead.
- 28 UV absorbing clear tempered glass instead.
- 35 Silver enameled luminaire finish instead.
- 36 Gold enameled luminaire finish instead.
- 37 Dark Bronze enameled luminaire finish instead.
- 38 Black enameled luminaire finish instead.
- 40 White grooveless flare trim with regressed tempered prismatic C#73 glass lens or specify optional lens.

- 43 Lower wattage. QL 55 watt system instead.
- 45 Gasket between trim and housing.
- 46 Gasket between trim and lens.
- 54 Safety cable through pendant stem. 12" longer than specified stem length. Anchored to fixture. Use with Option -PM.
- 80 2" extension collar for mounting luminaire beneath surface outlet box. Finish matches housing color.
- 87 Custom -PM length. Specify up to 4 feet or consult factory. Use with Option -PM.
- 88 Swivel canopy for sloped ceilings up to 45°. Earthquake rated. Use with Option -PM.
- 89 Sealed top feature prevents moisture and insect intrusion in outdoor or high humidity areas. Use with Option -PM or -WB.

- 94 Custom color trim assembly or luminaire. Specify parts. Consult factory.
- 97 Other voltage ballast instead: 240 volt only.
- 99 Special modification. Consult factory.
- FR Fresnel tempered lens. Concentric prisms.
- FT Flat white trim instead. With tempered prismatic C#73 glass lens or specify optional lens.
- HO Holophane concave prismatic tempered lens instead.
- LT With 4000°K lamp instead of standard 3000°K lamp.
- PM Pendant mount instead. 3/8" T.S. x 18" or see Option -87. Also see Options -88 and -89.
- WB Wall bracket mount instead. Also see -89.

### SUBMITTAL DATA

### APPROVAL STAMP

JOB NAME \_\_\_\_\_

TYPE \_\_\_\_\_

WATTAGE \_\_\_\_\_ VOLTAGE \_\_\_\_\_

CATALOG NUMBER \_\_\_\_\_

LIMITED WARRANTY: CATALOGUED KIRLIN FIXTURES ARE WARRANTED FREE OF DEFECTS IN WORKMANSHIP OR MATERIAL FOR THREE YEARS FROM DATE OF PURCHASE. INSTALLATION, ETC., IS NORMAL USE. Manufacturer at his option will replace or repair such fixture or refund the purchase price on presentation of proof of purchase and defective fixture at the office of manufacturer within the years of original shipment. Liability of manufacturer is limited to the foregoing, and manufacturer shall not be liable for any other damages, direct or indirect, sustained or suffered by purchaser or any person. This warranty is supplied on the understanding that the purchaser warrants, expressed or implied, Seller does not warrant as to merchantability or fitness for a particular use, now, military or otherwise, constitute a warranty of amend or amend this specific warranty. Abnormal use, abuse of the fixture, improper installation, or repair, or modification of the fixture without prior written authorization from the manufacturer will void this warranty only.