

Offset Distribution: School / Marquee

14"

Features

Lamp

- Designed for:
175 watt coated E/BT/ED-28 horizontal or universal.
- See Option -43 for optional lower wattage.
- Option -23 for Mercury, Option -24 for HPS.

Socket

- Offset horizontal. Mogul base.
- Glazed porcelain.
- Nickel-plated brass screw shell. Silicone leads.

Reflector

- GlasSurfaced™ multi-faceted specular aluminum.

Trim Assembly

- UV absorbing tempered low brightness prismatic flat glass.
- White rust-free polished nickel stainless door (304-L) and captive thumb screw. Slender with concealed hinges for fast relamping.
- Attractively beveled cast aluminum frame tooled to ensure close fit with door.
- Drop guard with tempered prismatic flat glass available. Protects against thrown objects (Option -DG).
- Tamper-proof vandal resistant door screw available (Option -26).

Ballast Assembly

- WhisperPack™ fully encapsulated 180°C rated HPF ballast.
- Premium Class H; CWA with 10:9 regulation.
- Capacitor supplied.
- 120 volt standard or see optional voltages.
- Cool, quiet, long-life. Silicone leads.
- Visible and easily serviced in all ceilings including dry wall.

Fuse

- Fused primary. Renewable. Aids servicing.

Housing

- Acrylic enameled aluminum.
- Cool: Dissipates heat across entire surface area.
- Rustproof: Exceeds 1000 hour ASTM 5% salt spray test.
- Entire luminaire serviced through removable trim assembly.

Outlet Box

- Prewired 14 GA (NEC) galvanized steel, UL listed.
- Removable insulated cover.
- 1/2" and 3/4" knockouts.

Installation

- 27" galvanized channel bar hangers supplied (2).
- Fully adjustable universal mounting brackets supplied (2).
- Recesses indoor or outdoor in covered locations.

UL Listing

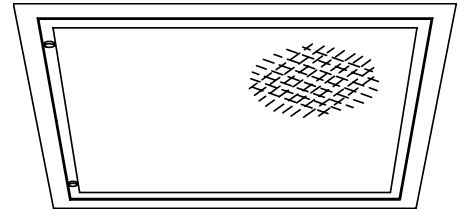
- Wet, damp or dry locations, covered ceilings.
- Through-branch circuit conductors (6 #12).

Three Year Limited Warranty

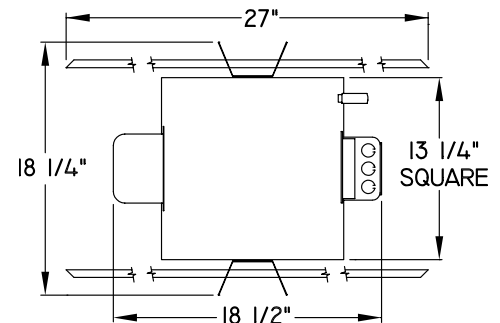
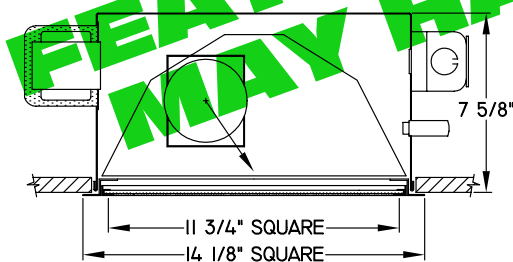
- Complete standard fixture.

Thermal Protection

- Per current NEC.



RS51455



THE KIRLIN COMPANY

3401 EAST JEFFERSON AVENUE • DETROIT, MICHIGAN 48207-4232
(313) 259-6400 • Fax: (313) 259-9409 or (313) 259-3121

LAMP

WATTAGE

CATALOG NUMBER

**HIGH EFFICIENCY
METAL HALIDE LIGHTING**

E/BT/ED-28

175

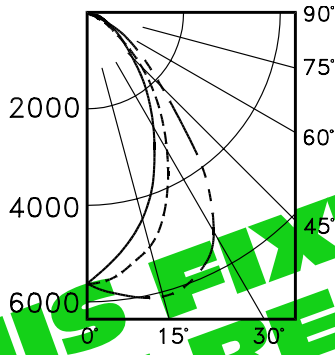
RS51455

THE KIRLIN COMPANY RESERVES THE RIGHT TO CHANGE, WITHOUT NOTICE, DETAILS OR SPECIFICATIONS IN PRODUCT DESIGN.

Detailed Photometry - Installed Fixture

CANDLEPOWER DISTRIBUTION

	0.0	45.0	90.0	135.0	180.0
0	5621	5621	5621	5621	5621
5	5304	5351	5547	5804	5950
15	4484	4592	5020	5710	6066
25	3307	3543	3987	2014	5593
35	2189	2424	2709	3814	3952
45	1286	1429	1567	2237	2300
55	686	717	755	1031	1142
65	338	384	377	512	539
75	180	200	222	271	255
85	59	65	70	93	83
90	0	0	0	0	0



COEFFICIENTS OF UTILIZATION

REFLECTOR	20					
	70		80		50	
RW	70	80	10	50	30	10
1	81	78	76	73	73	70
2	75	70	66	63	67	61
3	70	64	59	55	61	54
4	65	58	53	49	55	48
5	61	53	47	43	51	43
6	57	49	43	39	47	39
7	53	45	39	35	43	35
8	50	41	36	32	40	32
9	47	39	33	30	37	30
10	44	36	31	27	35	27

Options

- 23 Mercury ballast instead. 175MO standard or see Option -43. Specify voltage.
- 24 HPS ballast instead. 150MO ED-28 standard or see Option -43. Specify voltage.
- 26 Tamper-proof recessed hex, center pin, button door screw with key. One key provided per ten fixtures.
- 27 Clear 1/4" tempered glass beneath prismatic flat lens, for vandal resistance. Also see -26.
- 35 Silver enameled frame finish instead.
- 36 Gold enameled frame finish instead.
- 37 Bronze enameled frame finish instead.
- 38 Black enameled frame finish instead.
- 43 Lower wattage - specify voltage and wattage for: Metal Halide: 175, 150, 100, 70, 50ME; Mercury: 100MO; HPS: 100, 70, 50MO.
- 45 Gasket above trim flange (between trim and ceiling).
- 46 Gasket between trim and lens.
- 47 Galvanized steel plaster frame for wet plaster ceiling.
- 49 Extra circuit DCB socket. (100 watt max.) Must not be energized simultaneously with main source.
- 58 277 volt 60 Hz. ballast instead.
- 65 Relay and DCB socket. (100 watt max.) With fixture energized, provides immediate light during HID outage. Also see Option -66.
- 66 Time delay relay and DCB socket. (100 watt max.) When energized, provides light until HID reaches 70% output.
- 94 Custom color trim frame. Consult factory.
- 97 Other voltage ballasts. Consult factory.
- 99 Special modification. Consult factory.
- LP With lamp. Specify source, wattage, color temperature, and clear or coated (3200°K standard for MH). Consult factory for other color temperatures.
- LS With tungsten halogen standby lamp. (100 watt max.) Use only with Options -49, -65 or -66.

SUBMITTAL DATA

APPROVAL STAMP

JOB NAME _____

TYPE _____

WATTAGE _____ VOLTAGE _____

CATALOG NUMBER _____

LIMITED WARRANTY: CATALOGUED KIRLIN FIXTURES ARE WARRANTED FREE OF DEFECTS IN WORKMANSHIP OR MATERIAL FOR THREE YEARS FROM DATE OF PURCHASE. INSTALLLED TO N.E.C., IN NORMAL USE. Manufacturer at his option will replace or repair such fixture or refund the purchase price on presentation of proof of purchase and defective fixture at the offices of manufacturer within three years of original shipment. Liability of manufacturer is limited to the foregoing, and manufacturer shall not be liable for any other damages, direct or indirect, sustained or suffered by purchaser or any person. This warranty is supplied to the buyer in place of all other warranties, expressed or implied. Seller does not warrant as to merchantability or fitness for a particular use, nor will any oral statement constitute a warranty or amend this specific warranty. Abnormal use, abuse of the fixture, improper installation, or repair, or modification of the fixture without prior written authorization from the manufacturer will render the warranty void.