

Type IC Open Downlight: 18 Watt Triple Tube

Features

Lamp

- Designed for:
 - 1 vertical Triple Tube Amalgam 18 watt.
- 4 pin GX24q-2 base.
- 90% lumen output maintained at ballast minimum operating temperature.
- Flicker-free starting, high light output.
- Excellent color rendering (82 CRI).
- Long 10,000 hour life.
- High efficiency with low operating costs.

Ballast

- Regulating electronic high power factor, thermally protected, encased.
- Cold weather -13°C to -20°C (0°F to -5°F).
- Built-in RIF filter. THD is less than 10%.
- 120 volt standard or see optional voltages.
- Visible and easily serviced in all ceilings.

Fuse

- Available as Option -FS.

Reflector

- Self-flanged low iridescence specular Alzak® aluminum.
- Optional SofTex softly etched Clear, Dune, Champagne Gold or Wheat also available.

Housing

- Acrylic enameled aluminum.

- Cool: Dissipates heat across entire surface area. Ventilated.
- Rustproof: Exceeds 1000 hour ASTM 5% salt spray test.
- Entire luminaire serviced through removable reflector.
- Prewired outlet box; 14GA (NEC) galvanized steel. UL listed. Accessible through fixture opening.
- Built-in plaster frame.

Installation

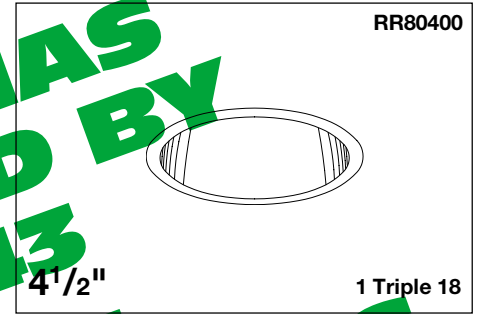
- 27" hanger bars supplied (2).
- Fully adjustable universal mounting brackets supplied (2).
- Recesses indoor or outdoor in covered locations.

UL, C-UL (Canada) Listings

- Wet, damp or dry locations, covered ceilings.
- Through branch circuit conductors (6 #12).
- Type IC - Approved for direct contact with insulation.

Three Year Limited Warranty

- Complete standard fixture.



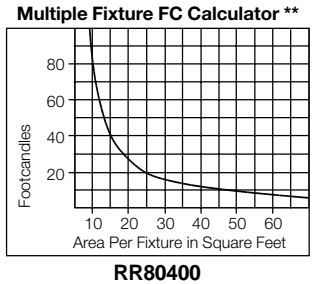
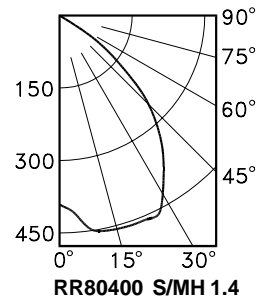
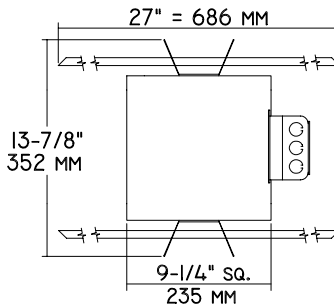
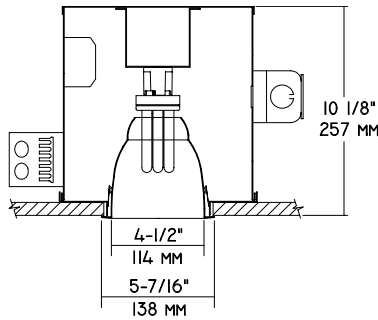
**Small Aperture
71% Efficiency**

**1200 Lumens
18 Watt CF = 75 Watt
Incandescent**

**SofTex Clear, Dune,
Champagne Gold or Wheat
Reflector Finishes
Available**

Performance at a Glance

RR80400



Cone of Light*

Ft.	FC	Dia.
6	10.8	8.1
8	6.1	10.8
10	3.9	13.5
12	2.7	16.2
14	2.0	18.9
16	1.5	21.6

RR80400

Cone of Light Key

- Ft.** Distance from fixture
- FC** Footcandles (average)
- Dia.** Circle of light at 50% of FC

* Dia. (in ft.) shown is where FC value is half the FC at nadir.

** Based on RCR2; ceiling 70%; wall 50%; floor 20%. Use S/MH shown for each fixture.

THE KIRLIN COMPANY

3401 EAST JEFFERSON AVENUE • DETROIT, MICHIGAN 48207-4232
(313) 259-6400 • Fax: (313) 259-9409 OR (313) 259-3121 • www.light-link.com/kirlin

**SECOND CENTURY SERIES
TRIPLE TUBE
COMPACT FLUORESCENT LIGHTING**

MAXIMUM WATTAGE

CATALOG NUMBER

1 Triple 18

RR80400

DUE TO OUR CONTINUING EFFORT TO IMPROVE PRODUCTS, TECHNICAL INFORMATION IS SUBJECT TO CHANGE WITHOUT NOTICE.

Alzak® is a registered trademark of ALCOA.

RR80400 RECESSED ROUND: TRIPLE TUBE AMALGAM 18 WATT COMPACT FLUORESCENT

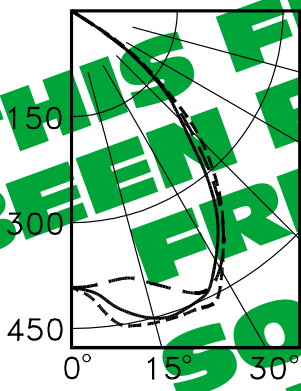
Detailed Photometry - Installed Fixture

FROM I.T.L. (BOULDER, CO) TEST NUMBER 44506

RR80400

*LER = 39.9

•AEC = \$6.01



CANDLEPOWER DISTRIBUTION

	0.0	22.5	45.0	67.5	90.0
0	389	389	389	389	389
5	409	405	396	390	386
15	459	459	450	401	395
30	460	467	441	431	443
45	367	382	355	353	369
60	262	256	224	230	243
75	73	75	78	84	88
90	2	1	2	2	2
105	0	0	0	1	1
120	0	0	0	0	0
135	0	0	0	0	0
150	0	0	0	0	0

COEFFICIENTS OF UTILIZATION

Room	80	30	5	10
0	80	78	75	74
1	75	71	67	64
2	70	64	60	56
3	65	58	53	50
4	61	53	48	44
5	56	49	43	40
6	53	45	39	36
7	49	41	36	32
8	46	38	33	29
9	44	35	30	27
10	44	35	30	27

Estimated Multipliers

- 70 SofTex Clear: CP x .93
- 71 SofTex Dune: CP x .87
- 90 SofTex Champagne Gold: CP x .90
- 91 SofTex Wheat: CP x .87

*** LER = Luminaire Efficiency Rating**

LER = Luminaire Effic. x Total Lamp Lumens x Ballast Factor / Input Watts

• **AEC = Annual Energy Cost per 1000 lumens (based on 3000 hours use @ \$0.08 KWH).**

Options

- 31 White reflector trim, self-flanged.
- 32 Trim extender. Broadens trim flange O.D. by 1" to cover larger ceiling opening.
- 39 Consult factory for installed electronic dimming ballast availability. consult factory for quantity and type required. Also see Options -LE and -WD. Indoor use.
- 45 Gasket above reflector flange. Stops dust streaks on ceiling.
- 58 277 volt 60 Hz. ballast instead.
- 70 SofTex Clear softly etched self-flanged reflector. Resists smudges. (CP x .93)

- 71 SofTex Dune softly etched self-flanged reflector. Resists smudges. (CP x .87)
- 73 Internal emergency "Ni-Cad" battery pack concealed in housing. Switch and light unobtrusively located inside reflector. For indoor use.
- 79 Extension collar for up to 2" thick ceilings.
- 90 SofTex Champagne Gold softly etched self-flanged reflector. Resists smudges. (CP x .90)
- 91 SofTex Wheat softly etched self-flanged reflector. Resists smudges. (CP x .87)
- 94 Specular Pewter or Umber or other specified custom color self-flanged reflector. Consult factory.
- 97 Other voltage ballast. Consult factory.
- 98 347 volt 60 Hz. ballast instead. Consult factory for dimming.
- 99 Special modification. Consult factory.
- FS Fused. Replaceable. Aids servicing.
- LE With 4-pin electronic 18 watt amalgam Triple Tube lamp. 82 CRI and 10,000 hour life. 3500°K or consult factory for 2700°K, 3000°K or 4100°K. Specify wattage and color temperature.
- WD Wall dimmer for use with Option -39. Consult factory for availability.

SUBMITTAL DATA

APPROVAL STAMP

JOB NAME _____

TYPE _____

WATTAGE _____ VOLTAGE _____

CATALOG NUMBER _____

LIMITED WARRANTY: CATALOGUED KIRLIN FIXTURES ARE WARRANTED FREE OF DEFECTS IN WORKMANSHIP OR MATERIAL FOR THREE YEARS FROM DATE OF PURCHASE. INSTALLATION MUST BE BY A QUALIFIED ELECTRICIAN. THE WARRANTY IS VOID IF THE FIXTURE IS NOT INSTALLED IN ACCORDANCE WITH THE MANUFACTURER'S INSTRUCTIONS. THE WARRANTY IS VOID IF THE FIXTURE IS USED IN A MANNER NOT INTENDED BY THE MANUFACTURER. THE WARRANTY IS VOID IF THE FIXTURE IS USED IN A MANNER NOT INTENDED BY THE MANUFACTURER. THE WARRANTY IS VOID IF THE FIXTURE IS USED IN A MANNER NOT INTENDED BY THE MANUFACTURER.