

**OPTILITE™**

1 LIGHT SYSTEM - 360°

**RR01207**

Motorized Adjustable  
Recessed Patient  
Lighting System

ED • CATH LAB • ICU  
PATIENT ROOM • CCU AUTOPSY  
NICU/PICU

150 Watt 120 Volt System



- Design:** Inconspicuous, fully recessed lensed luminaire with smooth white BioGard™ anti-microbial finish.
- Use:** Fast, single-hand adjustability using wall control.
- Function:** Precise adjustability of direction and brightness.
- Performance:** Cool stable beam of ideal 100 CRI light provides optimal illumination of patient.

This lighting system features **one** fully recessed **luminaire** plus a **wall control**:

**Luminaire Offers:**

- Full 360° rotation with tilt up to 35° either side of nadir
- Exclusive cold mirrored reflector to remove heat from the beam for patient comfort
- BioGard™ anti-microbial white regressed smooth flare trim with tempered clear flat glass lens
- 150 watt, 120 volt 100 CRI tungsten halogen lamp for

- accurate visualization and color rendering
- Lightweight construction for easy installation in any ceiling (18 pounds)
- Complete serviceability through aperture; plug-in components for easy installation and service

**Wall Control Offers:**

- One hand operation of controls: toggle switches for direction and power, slide dimmer for intensity
- Smooth surfaces for convenient cleaning with isopropyl alcohol

UL, C-UL (Canada) Listed • Exclusive Three Year Warranty • Designed and Produced in U.S.A.

**Options**

The following Options are available for RR01207. Add Option as suffix to catalog number. Example: RR01207-32-87.

- 10 Tinted lens instead; raises color temperature; reduces CRI and lumen output.
- 32 Trim extender. Broadens trim flange O.D. by 1" to cover larger ceiling opening.
- 58 277/120 volt stepdown transformer for 277 volt line input, prewired into each fixture; with 277 volt thermal protector.
- 81 15° bottom pan achieves 50° high angle illumination in one direction. Maximum recessed depth 15-1/8".
- 87 120 volt plenum rated cable length greater than 35 feet. Consult factory.
- 94 Custom color self-flanged flare trim instead. Consult factory.
- 97 For other input supply voltages, consult factory.
- 99 Special modification. Consult factory.
- LX Extra lamps. Specify in multiples of 12.
- SE Fixture modified to accept seismic anchorage (by others). Meets California OSHPD and International Building Codes. Consult factory.



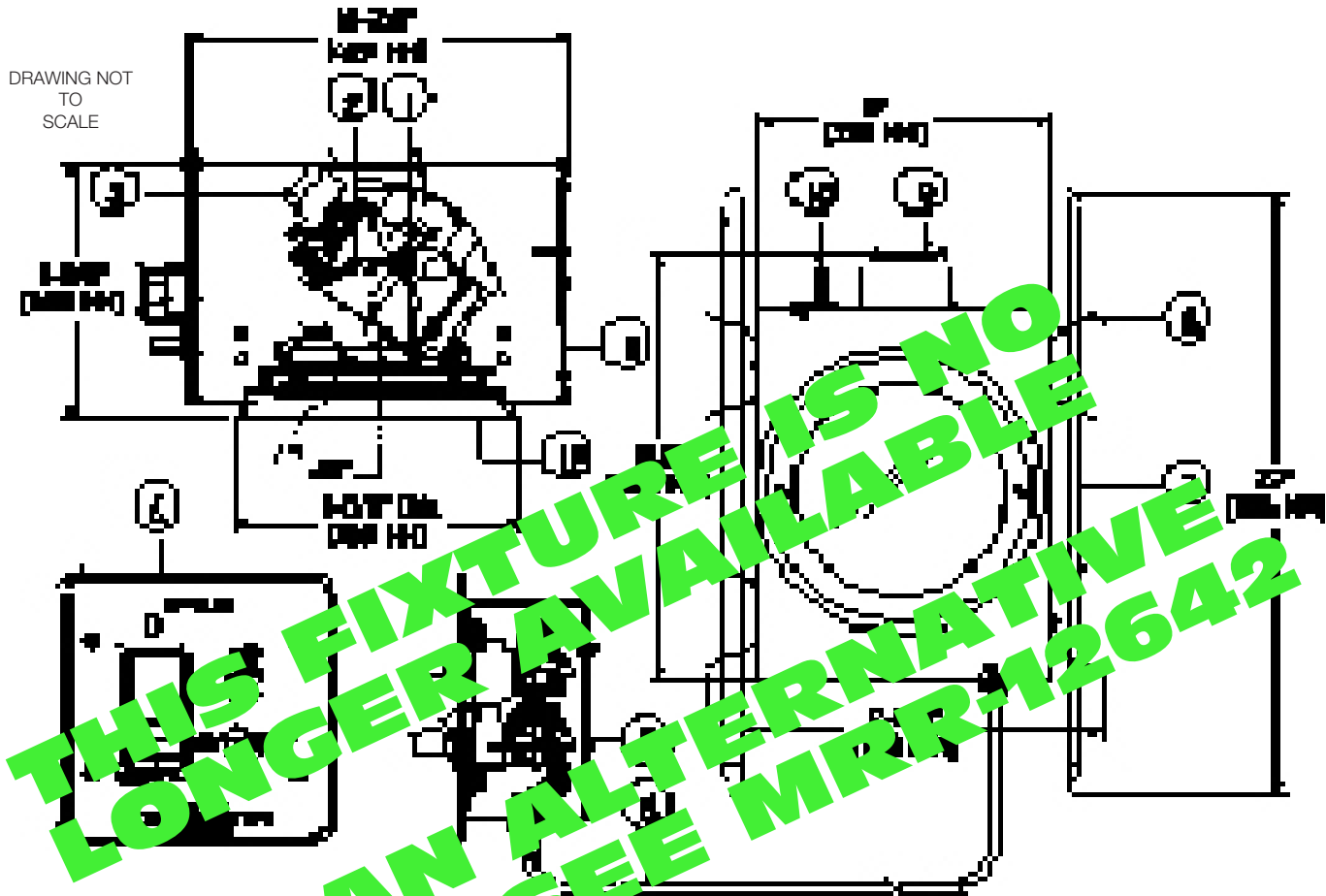
**THE KIRLIN COMPANY**

3401 EAST JEFFERSON AVENUE • DETROIT, MICHIGAN 48207-4232  
(313) 259-6400 • Fax: (313) 259-3121 or (313) 259-9409 • www.kirlinlighting.com

### RR01207

OPTILITE™  
1 LIGHT SYSTEM - 360°

MOTORIZED WALL CONTROLLED  
ADJUSTABLE LIGHTING SYSTEM



#### Lamp and Socket ①

- 150 watt 120 volt 100 CRI DCB base tungsten halogen lamp (included).
- 3000°K.
- Double contact bayonet socket with Teflon® leads.

#### Reflector ②

- Cold mirrored glass reflector - removes heat from light beam.

#### Motors / Gimbal Assembly ③

- Two 120 volt permanently lubricated motors control motion. Quiet operation.
- Rotates 360° and tilts up to 35° from nadir.
- Plug-in modular electronics designed for easy maintenance.
- Visible and easily serviced through removable trim assembly.

#### Wall Control ④

##### (one per lighting system)

- Includes all function controls (power, direction, brightness). (Detail next page.)
- **UL listed back box ⑤ provided must be used for proper fit of electronics.** 1/2" and 3/4" trade size knockouts.

#### Plenum Rated Cable ⑥

- Each luminaire provided with 35' 120 volt plenum rated cable for connection to

color coded switches & dimming control (8 conductors) on wall control module. For optional cable length, see Option -87.

#### Installation

- Lightweight 18 pound fixture recesses in all ceilings including suspended ceilings.
- For seismic anchorage, see Option -SE.
- May be installed (per NEC, mandatory) by any qualified electrician. Factory representative need not be present.
- Two 27" (69cm) galvanized channel bar hangers supplied. ⑦
- Four Kirlin fully adjustable universal mounting brackets supplied. ⑧

#### Junction Box (luminaire) ⑨

- Prewired 14 GA (NEC) galvanized steel, UL listed. Contains fuse and holder.
- Removable insulated cover.
- 1/2" and 3/4" knockouts.

#### Thermal Protection ⑩

- Per current NEC.

#### Housing ⑪

- Acrylic enameled aluminum.
- Cool: Dissipates heat across entire surface area.
- Rustproof: Exceeds 1000 hour ASTM 5% salt spray test.

- Entire luminaire serviced through removable trim assembly.
- Built-in plaster frame.

#### Trim Assembly ⑫

- White regressed self-flanged flare with Kirlin BioGard™ anti-microbial finish.
- 12" diameter. Smooth surface.
- Regressed tempered clear flat glass lens.

#### Stepdown Transformer

##### • When Option -58 is selected:

- WhisperPack™ fully encapsulated 277/120 volt Class H transformer for 277 volt line input. Prewired into fixture; with 277 volt thermal protector. Fused (in J-box).
- Cool, quiet, long life. Silicone leads.
- Visible and easily serviced in all ceilings, including dry wall.

#### UL, C-UL (Canada) Listings

- Damp or dry locations, covered ceilings.
- Through branch circuit conductors. (6#12)

#### State of California OSHPD Seismic Anchorage Pre-Approved.

#### Warranty

- Complete standard fixture and wall control, three years. (Lamps excluded)

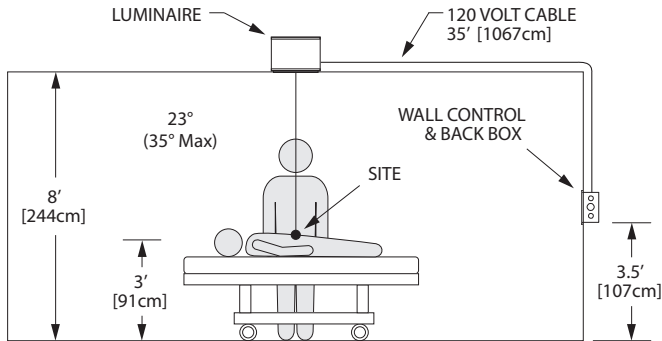
PER SINGLE LUMINAIRE OPERATING CURRENT 1.25A MAXIMUM DRAW 1.30A

### MOTORIZED WALL CONTROLLED ADJUSTABLE LIGHTING SYSTEM

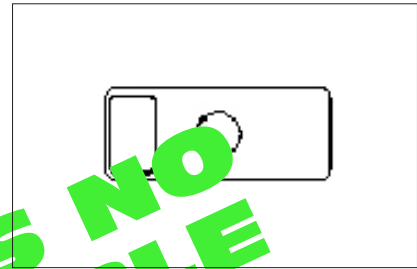
OPTILITE™  
1 LIGHT SYSTEM - 360°

**RR01207**

Typical Side View



Typical Top View



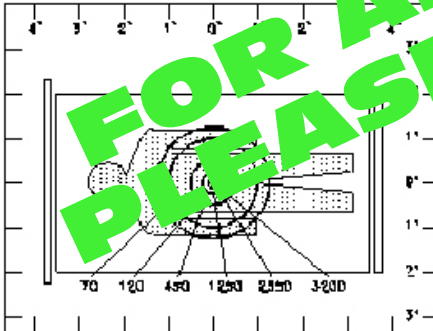
OPTILITE™  
Footcandle Performance

| 8' CEILING HEIGHT | 8'6" CEILING HEIGHT | 9' CEILING HEIGHT |
|-------------------|---------------------|-------------------|
| 3,200 fc          | 2,600 fc            | 2,150 fc          |

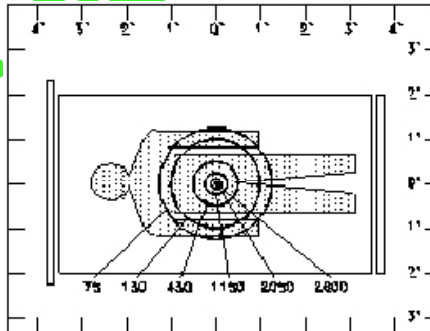
Footcandle performance calculations are based on lamp manufacturers' published initial lumen ratings. Individual lamps may vary significantly, particularly with age.

Footcandle Distribution Data

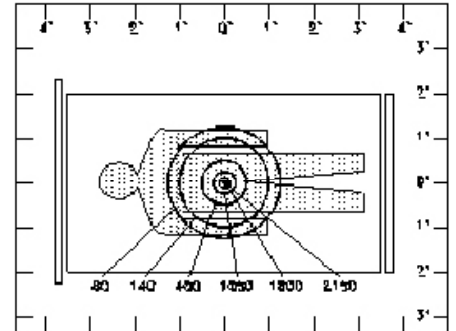
Ceiling Height: 8'  
Work Plane: 3'6"



Ceiling Height: 8'6"  
Work Plane: 3'6"



Ceiling Height: 9'  
Work Plane: 3'6"

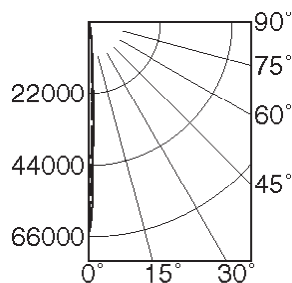


Performance at a Glance

Photometric testing by I.T.L. (Boulder, CO)  
I.T.L. Test No. 53914

--- 0° S/MH 0.1  
— 90° S/MH 0.1  
- - - 180° S/MH 0.1

EFFICIENCY = 67.8%



Cone of Light\*

| Ft. | FC     | Dia. |
|-----|--------|------|
| 4.5 | 3202.2 | 0.3  |
| 5.0 | 2593.8 | 0.3  |
| 5.5 | 2143.6 | 0.3  |
| 6.0 | 1801.3 | 0.4  |
| 6.5 | 1534.8 | 0.4  |
| 7.0 | 1323.4 | 0.4  |

**Cone of Light Key**  
Ft. Distance from fixture  
FC Footcandles (average)  
Dia. Circle of light at 50% of FC

\* Dia. (in ft.) shown is where FC value is half the FC at nadir.

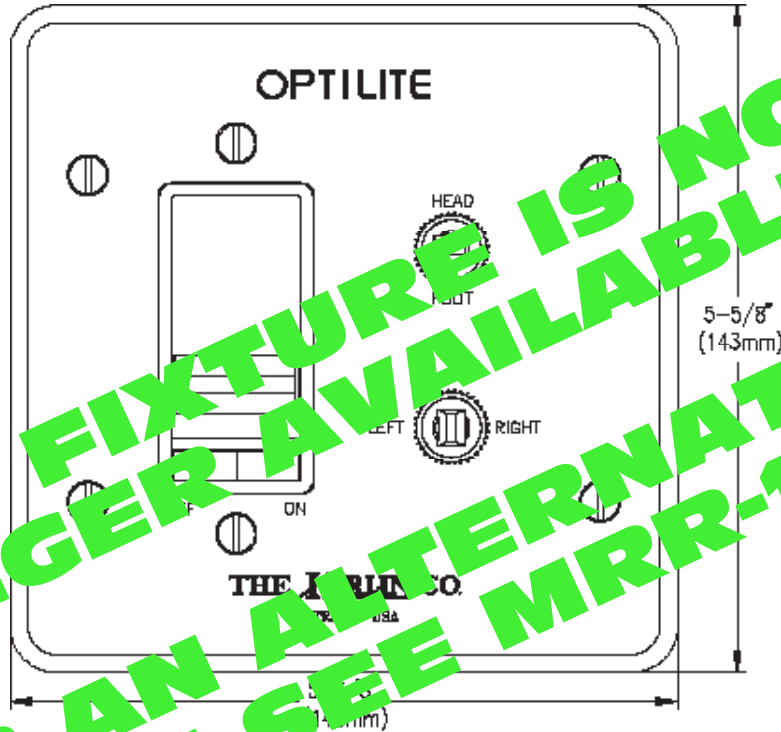
**RR01207**

OPTILITE™  
1 LIGHT SYSTEM - 360°  
150 WATT / 120 VOLT

MOTORIZED WALL CONTROLLED  
ADJUSTABLE LIGHTING SYSTEM

**WALL CONTROL PANEL**

(INSTALLED IN ROOM WALL - NOT TO SCALE)



**THIS FIXTURE IS NO LONGER AVAILABLE FOR AN ALTERNATIVE PLEASE SEE MRR-12642**

- Function switches for:
  - Power
  - Intensity (dimmer or brighter)
  - Direction  
(Rotates 360°, with tilt up to 35° either side of nadir).
- Convenient one hand operation.
- Smooth surfaces for easy cleaning.

**SUBMITTAL DATA**

**APPROVAL STAMP**

JOB NAME  
TYPE  
WATTAGE VOLTAGE  
CATALOG NUMBER