

CATALOG #	TYPE	
JOB NAME	WATTAGE	VOLTAGE

Lighting for Patient Spaces

2'x 2' Surface-Mounted White or Scenic Panel
 Ligature & Vandal Resistant • Soothing & Safe “Skylight” Effect
 Up to 60,000 Hour Life • 90 CRI

Specifications

Delivered System Performance

- Lumen Series: **MUST SPECIFY**
 -2500L (35W) - Not available with images
 -1500L (20W)
- Color temperature: **MUST SPECIFY**
 3500°K or 4100°K
- Distribution: WFL
- 90 CRI; 60,000 hour life (L70)

Thermal Management System

- Heavy gauge aluminum construction provides maximum heat dissipation for cool LED operation; extends life of all components

LED Driver - INTERNAL

- Indoor/Outdoor: -30°C to 60°C (-22°F to 140°F)
- 0-10V 1.0% dimming standard
- Voltage: 120-277/50-60Hz; load insensitive
- Enclosed in aluminum housing

IK10 Trim/Lens - Ligature/Vandal Resistant

- Rigid tempered heavy gauge 6063-T5 aluminum housing and single-piece frame with seam welded corners and keys
- Rustproof and corrosion resistant
- BioGard™ antimicrobial white finish
- Flush center pin tamperproof screws: tamperproof tool included
- High strength clear flat polycarbonate (0.220") - environmental side
- Extruded acrylic wave guide provides unparallelled uniformity
- Lightweight: minimizes ceiling load

Scenic Panel Image (Optional)

- Acrylic scenic panel (Over 100 selections from Kirlin or customer-provided) above polycarbonate
- Easily changed without replacing luminaire for a cost-effective interior design update
- Visualize your design with Kirlin's **Scenic Configurator** tool

MSV-22866



Outlet Box (Galvanized)

- UL listed J-box; prewired 16 GA steel with 1/2" knockouts

Installation & Hardware

- Direct mount to any hard surface ceiling; mounting hardware by others
- Suitable for indoor use

UL, C-UL (Canada) Listings

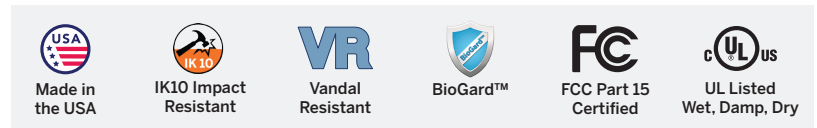
- Wet, damp or dry locations, covered ceilings

FCC Compliance

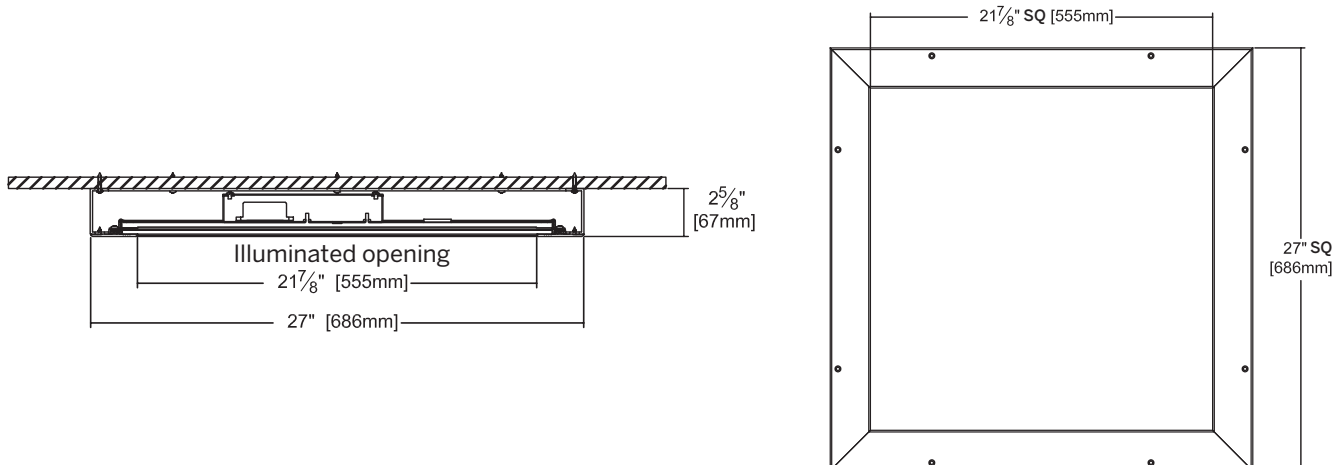
- FCC Part 15 certified for EMI/RFI emissions

FIVE YEAR Limited Warranty

- Complete standard fixture



Dimensions



2x2 Recessed Panel Ordering Configuration

(Example: MSV-22866-1500L-41K-IMG)

Must Specify			Optional			
Model	Lumens	CCT & CRI	Image	Driver Options	Trim Finish	Other Options
MSV-22866	-2500L† -1500L	(Blank): 35K, 90+ CRI -35K: 3500K -41K: 4100K	(Blank): White Panel -IMG: Scenic Panel; N/A with -2500L Choose the image desired from the Scenic Image Gallery brochure; Order the scenic image separately	(Blank): 0-10V 1.0% dimming -D6: Triac 100-10% dimming instead	(Blank): White BioGard™ anti-microbial finish -94: Custom color/finish	(Blank): None -99: Special modification; consult factory

† 2500L not available with images

Scenic Image Ordering Configuration

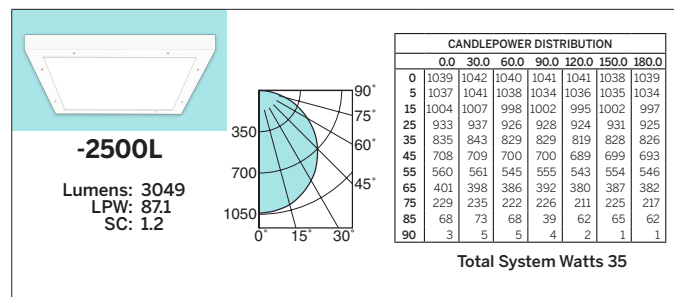
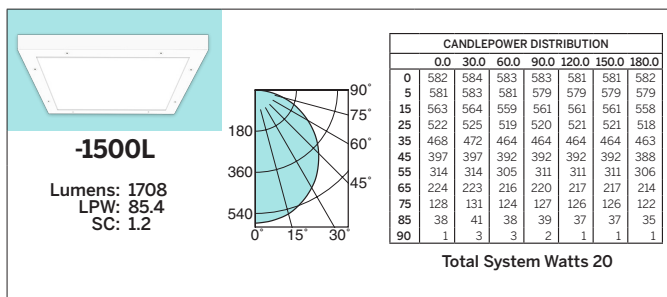
(Example: MRP-22IMG-2X2-SKY10)

Must Specify			Options
Model	Size	Image	Other Options
MRP-22IMG	-2X2: 1 panel	Choose the image desired from the Scenic Image Gallery brochure and insert the code here. To see how your artwork will appear in an arrangement, visit Kirlin's Scenic Configurator tool. -IMG99: Custom image‡ ‡ See requirements on page 5	(Blank): None -99: Special modification; consult factory If ordering a -PAT image, choose the pattern color desired from the Scenic Image Gallery brochure and insert the code here.

See the next page for additional layout and orientation details.

Photometry - Installed Complete Fixture

LM-79 IESNA Certified Photometry from Independent Lab



LED manufacturers maintain a tolerance of +/-7% on flux (lumens) and power (electrical) measurements.

Scenic Panel Options



Image Gallery

- Sky (SKY) - 25 Images
- Night Sky (NGT) - 7 Images
- Space (SPC) - 4 Images
- Tree (TRE) - 22 Images
- Nature Landscape (LND) - 8 Images
- Water (WTR) - 5 Images
- Abstract Art (ART) - 10 Images
- Patterns (PAT) - 25 Patterns

LIMITED WARRANTY: CATALOGUED KIRLIN FIXTURES ARE WARRANTED FREE OF DEFECTS IN WORKMANSHIP OR MATERIAL FOR FIVE YEARS FROM DATE OF PURCHASE. INSTALLED TO N.E.C. IN NORMAL USE. Manufacturer at his option will replace or repair such fixture or return the purchase price on presentation of proof of purchase and defective fixture at the offices of manufacturer within the years of original shipment. Liability of manufacturer is limited to the foregoing and manufacturer shall not be liable for any other damages, direct or indirect, sustained or suffered by purchaser or any person. This warranty is supplied to the buyer in place of all other warranties, expressed or implied. Seller does not warrant as to merchantability or fitness for a particular use, nor will any oral statement constitute a warranty or amend this specific warranty. Abnormal use, abuse of the fixture, improper installation, or repair or modification of the fixture without prior written authorization from the manufacturer will render the warranty void.

PATENT SPACES
MAY 2024