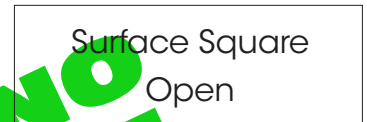
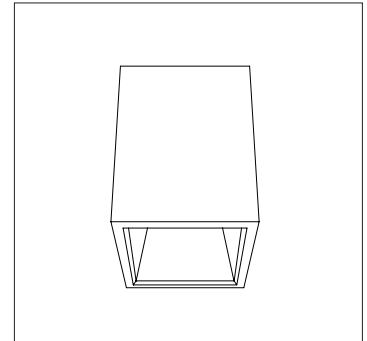


| | | |
|-----------|---------|---------|
| CATALOG # | TYPE | |
| JOB NAME | WATTAGE | VOLTAGE |

7" x 7" 1 PAR 38 250 WATT MAXIMUM

ISS-07116

Architectural Geometric Surface Square



Specifications

Lamp / Socket

- Designed for 1 vertical tungsten halogen lamp (by others): 250W maximum PAR 38.
- Rated 4200 hour life, 100 CRI.
- Dimmable (controls by others).
- Glazed porcelain medium base socket.

Reflector

- Clear SofTex aluminum, self-flanged.
- Optional reflector finishes and colors available.

Housing

- Super strong 6063-T6 extruded aluminum and tempered.
- White polyester enamel finish.
- Rustproof and corrosion resistant: Exceeds 1000 hour ASTM 5% salt spray test.

Installation

- Center point mounting for snug fit to ceiling. Mounting hardware included.
- 2" collar for surface J-box mount (Option -80).
- Pendant or wall bracket mount available. (See Options -PM, -WB).
- Indoor or outdoor for covered ceiling use. For wet label in uncovered areas, add Option -89.

UL, C-UL (Canada) Listings

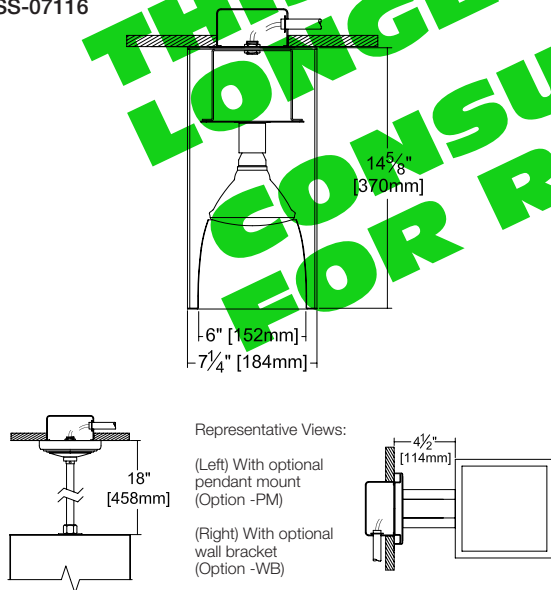
- Wet, damp or dry locations, covered ceilings.
- With Option -89: Wet, damp or dry locations, uncovered areas.
- 90°C minimum supply wire.

Three Year Limited Warranty

- Complete standard fixture.

Performance at a Glance

ISS-07116



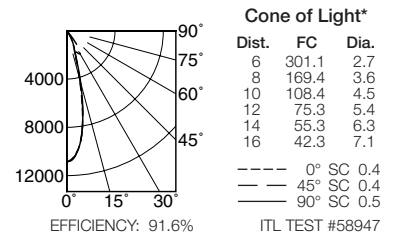
Representative Views:

(Left) With optional pendant mount (Option -PM)

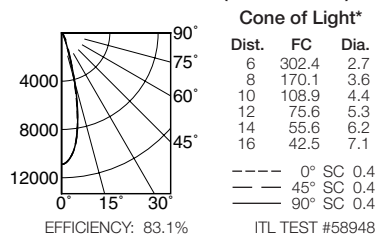
(Right) With optional wall bracket (Option -WB)

Optional Energy Efficiency

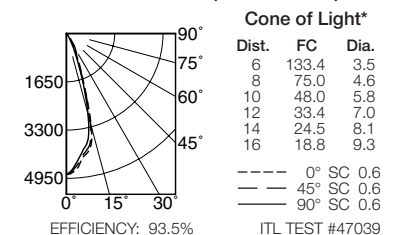
ISS-07116 (250W Flood)



ISS-07116-70 (250W Flood)



ISS-07116 (120W Flood)



THE KIRLIN COMPANY

3401 EAST JEFFERSON AVENUE • DETROIT, MICHIGAN 48207-4232
 (313) 259-6400 • Fax: (313) 259-9409 OR (313) 259-3121 • www.kirlinlighting.com

TUNGSTEN HALOGEN & INCANDESCENT LIGHTING

MAXIMUM WATTAGE

250

CATALOG NUMBER

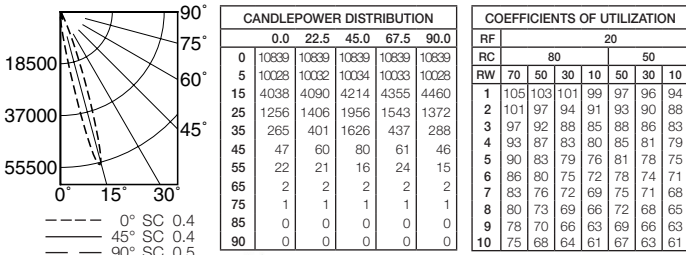
ISS-07116

DUE TO OUR CONTINUING EFFORT TO IMPROVE PRODUCTS, TECHNICAL INFORMATION IS SUBJECT TO CHANGE WITHOUT NOTICE.

Detailed Photometry - Installed Fixture

Photometry from I.T.L., Boulder, CO

ISS-07116 (250 Watt Flood)

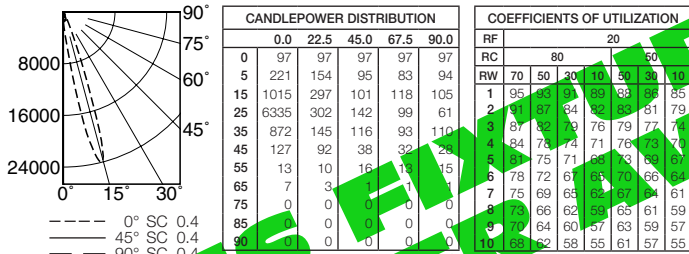


ITL TEST #58947

EFFICIENCY : 91.6%



ISS-07116-70 (250 Watt Flood)

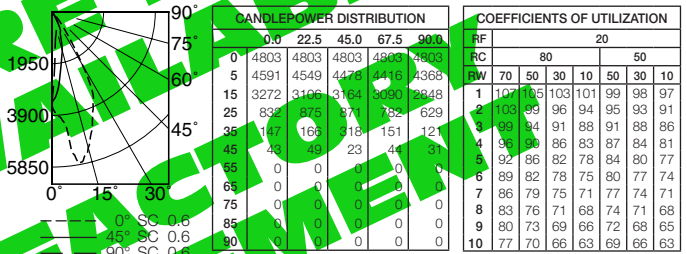


ITL TEST #58948

EFFICIENCY : 86.1%



ISS-07116 (120 Watt Flood)



ITL TEST #47039

EFFICIENCY : 93.5%



Options

Wattage and Voltage

- 58 277/120 volt stepdown transformer for 277 volt line input, prewired into fixture; with 277 volt thermal protector.

Trims

- 16 Champagne Gold specular Alzak reflector. (CP x .98)
- 30 All white reflector. (CP x .98)
- 63 Dune specular Alzak reflector. (CP x .97)
- 69 Wheat specular Alzak reflector. (CP x .97)
- 70 SofTex clear reflector. (CP x .98)
- 71 SofTex Dune reflector. (CP x .95)
- 72 Black specular Alzak reflector. (CP x .87)
- 91 SofTex Wheat reflector. (CP x .95)

- 93 Pewter specular Alzak reflector. (CP x .95)
- 94 Custom color/finish. Specify. Consult factory.

Luminaire (Housing) Finishes

- 35 Natural aluminum acrylic enamel.
- 36 Gold acrylic enamel.
- 37 Dark Bronze acrylic enamel.
- 38 Black acrylic enamel.
- 94 Custom color/finish. Specify. Consult factory.

Mounting

- 54 Safety cable through pendant stem and 12" beyond. Use with -PM
- 80 2" collar for mounting beneath surface outlet box. 1/2" T.S. KO's.
- 87 Custom pendant / wall bracket length. Specify. (Pendant length up to 4' or consult factory.) Use with Options -PM or -WB.

- 88 Swivel canopy for sloped ceilings up to 40°. Earthquake rated. Use with -PM.

- 89 Sealed top WeatherCap. Must add to Options -PM or -WB for wet label listing.
- PM Pendant mount. 3/8" T.S. x 18" stem or see Option -87. Must add Option -89 for wet label listing. Also see -88.
- WB Wall bracket mount. Must add Option -89 for wet label listing.

Other

- 99 Special modification. Consult factory.
- LP With PAR 38 lamp. Specify wattage and beam spread.

SUBMITTAL DATA

JOB NAME _____
 TYPE _____
 WATTAGE _____ VOLTAGE _____
 CATALOG NUMBER _____

APPROVAL STAMP

LIMITED WARRANTY: CATALOGED KIRLIN FIXTURES ARE WARRANTED FREE OF DEFECTS IN WORKMANSHIP OR MATERIAL FOR THREE YEARS FROM DATE OF PURCHASE. INSTALL TO N.E.C. IN NORMAL USE. Manufacturer of the fixture will replace or repair such fixture or refund the purchase price on presentation of proof of purchase and defective fixture at the offices of manufacturer within three years of original shipment. Liability of manufacturer is limited to the foregoing and manufacturer shall not be liable for any other damages, direct or indirect, sustained or suffered by purchaser or any person. This warranty is supplied to the buyer in place of all other warranties, expressed or implied. Seller does not warrant as to merchantability or fitness for a particular use, nor will any oral statement constitute a warranty or amend the specific warranty. Abnormal use, improper installation, or repair or modification of the fixture without prior written authorization from the manufacturer will render the warranty void.