

CATALOG #	TYPE	
JOB NAME	WATTAGE	VOLTAGE

6" T6 CERAMIC METAL HALIDE 150 WATT MAXIMUM HRS-06342

T6 Square Downlight for Shallow Plenums

Specifications

Lamp

- Designed for horizontal T6 bi-pin ceramic metal halide lamp.
- Up to 96 CFM, 12,000-15,000 hour life.
- For lower wattages, see Option -43.

Socket (5kV rated)

- G12 bi-pin base.
- Porcelain body. Silicone leads.

Reflectors

- Upper: Ellipsoidal specular Alzak® aluminum.
- Lower: Low brightness square specular Alzak® aluminum, self-flanged.
- Optional reflector finishes / colors available.

Lens: UV Absorbing

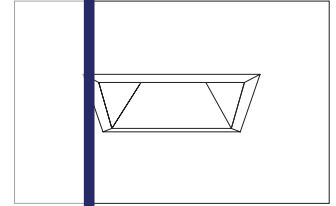
- Tempered plastic glass mounted to reflector.

Electronic Ballast

- Full electronic circuitry provides consistent color and color start wattage, ensuring consistent performance and long life.

THIS PRODUCT IS NO LONGER AVAILABLE

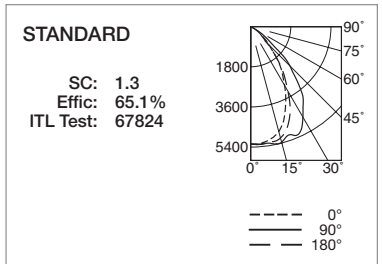
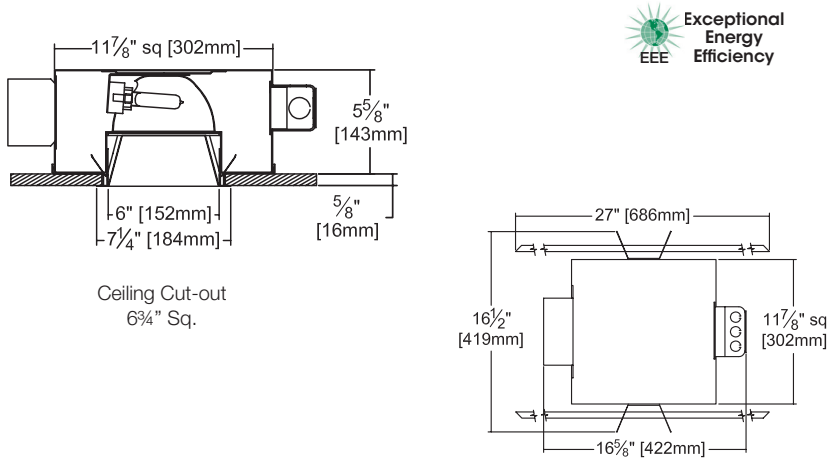
Please consult **QUOTATIONS** for the best alternative.



6" Dual Reflector Design
1.3 SC
Uniform Distribution

- Built-in plaster frame.
- **Outlet Box**
 - Prewired 14 GA (NEC) galvanized steel, UL listed; with removable insulated cover.
 - 1/2" and 3/4" knockouts.
- **Installation**
 - 27" galvanized hanger bars with adjustable mounting brackets (2) supplied.
 - Recesses indoor or outdoor in covered locations.
 - See "MARKED SPACINGS CAUTION" below.
- **UL, C-UL (Canada) Listings**
 - Wet, damp or dry locations, covered ceilings.
 - Through-branch circuit conductors (6 #12), Type IC-20 only.
- **Three Year Limited Warranty**
 - Complete standard fixture, including ballast.

Performance at a Glance



"MARKED SPACINGS CAUTION"
 FOR STANDARD 150W ONLY. INSTALL WITH MINIMUM SPACINGS AS FOLLOWS:
 2 FEET BETWEEN CENTERS OF ADJACENT FIXTURES; 1/2" BETWEEN FIXTURE TOP AND OVERHEAD BUILDING MEMBER; 1 FOOT BETWEEN FIXTURE CENTER AND SIDE WALL.

THE KIRLIN COMPANY

3401 EAST JEFFERSON AVENUE • DETROIT, MICHIGAN 48207-4232
 (313) 259-6400 • Fax: (313) 259-9409 OR (313) 259-3121 • www.kirlinlighting.com

COMPACT PULSE START
 METAL HALIDE LIGHTING

MAXIMUM WATTAGE

150

CATALOG NUMBER

HRS-06342

DUE TO OUR CONTINUING EFFORT TO IMPROVE PRODUCTS, TECHNICAL INFORMATION IS SUBJECT TO CHANGE WITHOUT NOTICE.

Alzak® is a registered trademark of ALCOA.

Detailed Photometry - Installed Fixture

Photometry from I.T.L., Boulder, CO

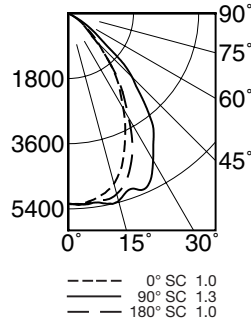
STANDARD

Effic: 65.1%
ITL Test: 67824



Cone of Light ▲

Dist.	FC	Dia.
6	146.2	7.3
8	82.2	9.8
10	52.6	12.2
12	36.5	14.7
14	26.8	17.1
16	20.6	19.6



	CANDLEPOWER DISTRIBUTION				
	0.0	45.0	90.0	135.0	180.0
0	5262	5262	5262	5262	5262
5	5254	5301	5300	5295	5284
15	4871	5151	5365	5332	5161
25	3717	4640	5228	4842	4189
35	2434	4294	4110	4461	2584
45	1185	3062	2495	3049	1068
55	437	1037	805	993	397
65	8	153	17	147	10
75	2	1	3	1	2
85	0	0	0	0	0
90	0	0	0	0	0

Photometry based on: 14,000 lumens - 150W

▲ Cone of Light Key
Ft. Distance from fixture
FC Footcandles at nadir (0°)
Dia. Circle of light at 50% of FC
 Dia. (in ft.) shown is where FC value is half the FC at nadir.

Options

Lower Reflector (Self-Flanged)

- 30 All White. (CP x 1.1)
- 31 White flange (only).
- 32 White trim extender to cover larger ceiling opening. Specify outer square dimension.
- 45 Gasket above flange. Stops dust streaks on ceiling.
- 70 Clear SofTex. (CP x .92)
- 94 Custom color. Consult factory.

Relays, Standbys, Lamps

- 49 Extra circuit DCB socket (up to 75W). Do not energize simultaneously with main source. Also see Option -LS.
- 65 Electronic standby system and DCB socket (up to 75W). Provides immediate light until CMH restrikes. Also see Options -66 and -LS.
- 66 Electronic time delay standby system and DCB socket (up to 75W). Provides light until CMH reaches 70% output. Also see Option -LS.
- LP With lamp. Specify source, wattage, color temperature / brand. 3000°K standard; consult factory for others.
- LS With T4 DCB tungsten halogen standby lamp (75W). Use only with Options -49, -65 or -66.

Wattage and Voltage

- 43 Lower wattage. T6: specify for 100W, 70W, 39W or Type IC 20W.
- 347 347 volt.
- 97 Other input voltage instead. Consult factory.

Other

- 79 Extension collar for up to 2" thick ceilings.
- 99 Special modification. Consult factory.

SUBMITTAL DATA

APPROVAL STAMP

JOB NAME

TYPE

WATTAGE

VOLTAGE

CATALOG NUMBER

LIMITED WARRANTY: CATALOGED KIRLIN FIXTURES ARE WARRANTED FREE OF DEFECTS IN WORKMANSHIP OR MATERIAL FOR THREE YEARS FROM DATE OF PURCHASE. INSTALLATION TO N.E.C. IN NORMAL USE. Manufacturer of the fixture will replace or repair, at no charge, any fixture that fails to operate properly under normal use conditions. This warranty is void if the fixture is not installed, used, or modified in accordance with the manufacturer's instructions. The manufacturer will not be held responsible for any damage to property or injury to persons or animals caused by the use of the fixture. This warranty is void if the fixture is not installed, used, or modified in accordance with the manufacturer's instructions. The manufacturer will not be held responsible for any damage to property or injury to persons or animals caused by the use of the fixture.