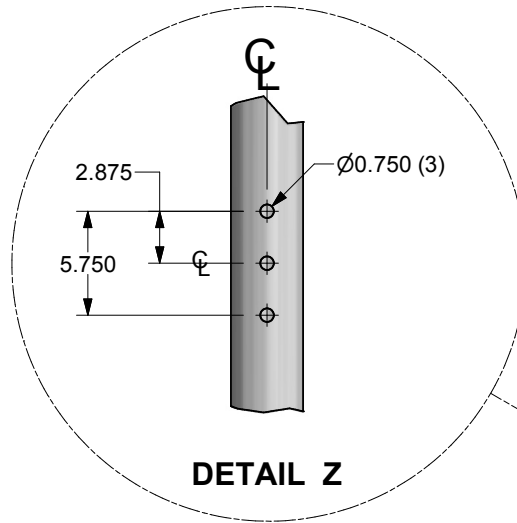


FIG. 1



DETAIL Z

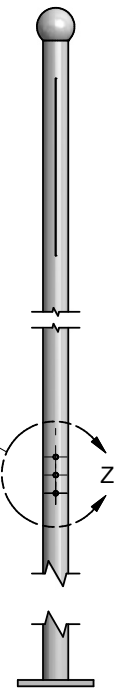


FIG. 2

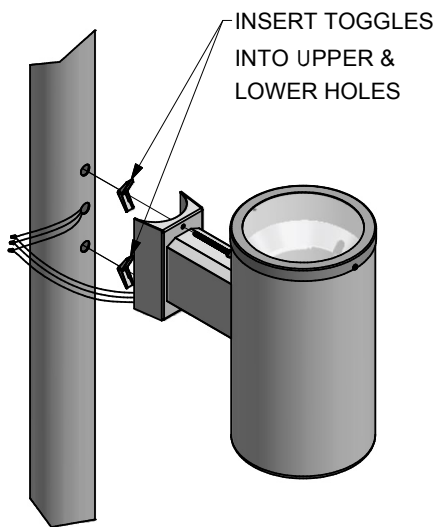


FIG. 3

APPLY SILICONE AFTER INSTALLATION

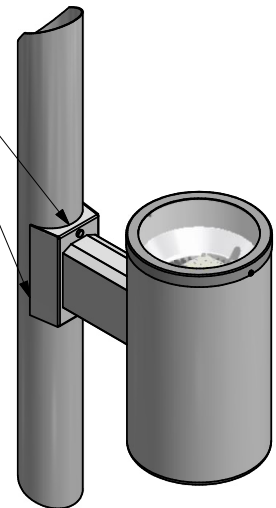


FIG. 4

MOUNTING INSTRUCTIONS

1. LOCATE DESIRED MOUNTING POSITION AS SHOWN IN FIG. 1.
2. DRILL (3) Ø3/4" HOLES AS SHOWN IN FIG. 2 DETAIL Z.
3. ROUTE THE ELECTRICAL WIRES INSIDE OF THE POLE UP TO THE CENTER Ø3/4" HOLE.
4. CONNECT THE ELECTRICAL WIRES TO THE FIXTURE AND STUFF THE WIRE NUTS BACK INTO THE CENTER Ø3/4" HOLE IN THE POLE AS SHOWN IN FIG. 3.
5. INSERT THE (2) 1/4-20 x 3" BOLTS THROUGH THE MOUNTING BRACKET & CONNECT THE (2) 1/4-20 TOGGLES ON THE BACK SIDE OF THE BRACKET. INSERT THE TOGGLES INTO THE TOP & BOTTOM Ø3/4" HOLES & TIGHTEN THE BOLTS AS SHOWN IN FIG. 3.
6. APPLY A BEAD OF SILICONE AROUND THE BRACKET AFTER MOUNTING TO PREVENT MOISTURE INTRUSION AS SHOWN IN FIG. 4.

**INSTALL IN ACCORDANCE WITH ALL APPLICABLE NATIONAL AND LOCAL ELECTRIC CODES
INSTALL IN ACCORDANCE WITH ALL MARKINGS APPEARING ON OR INSIDE LUMINAIRES**