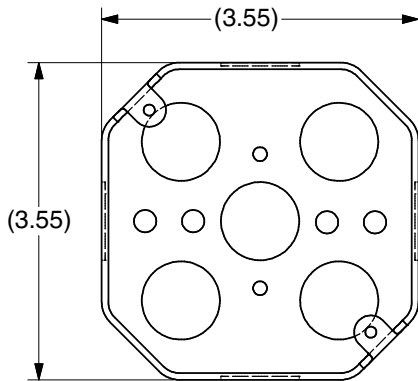


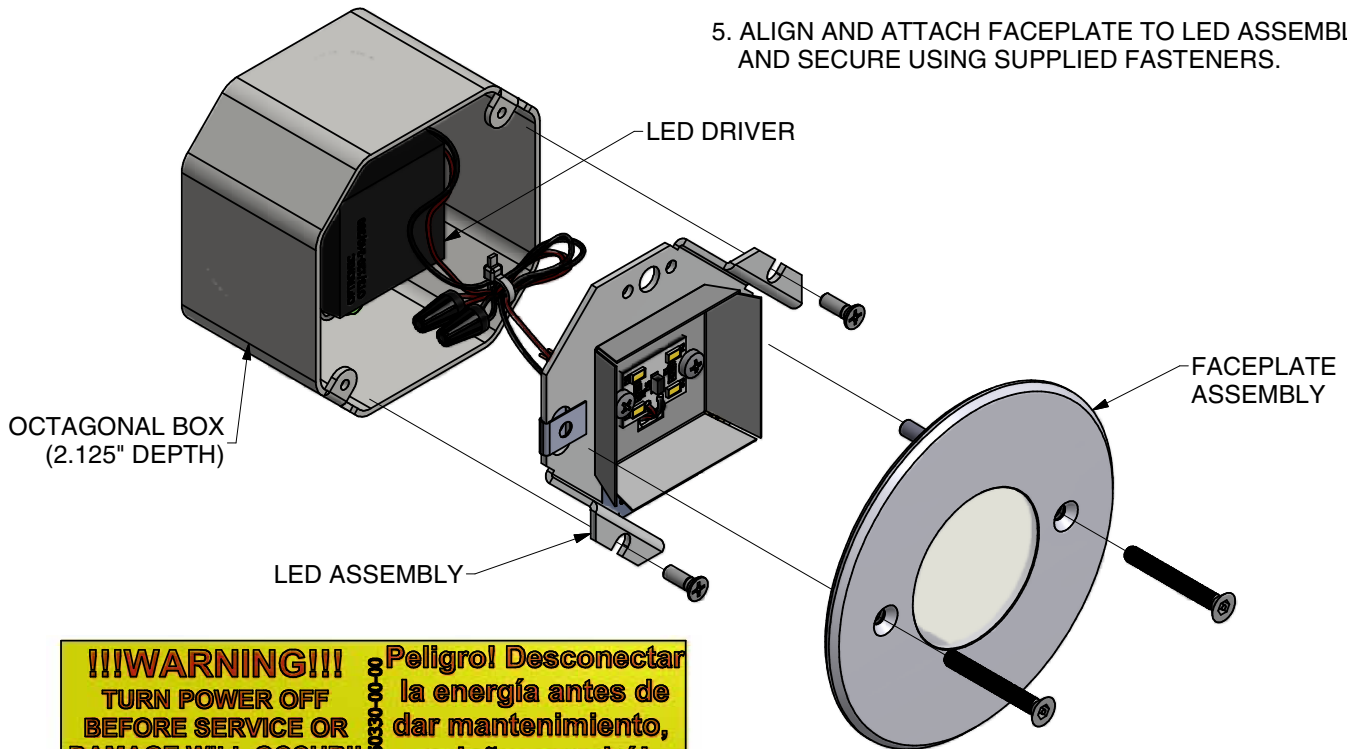
REFERENCE FACEPLATE SHOWN
(ACTUAL FACEPLATE MAY
LOOK DIFFERENT)



OCTAGONAL
BOX

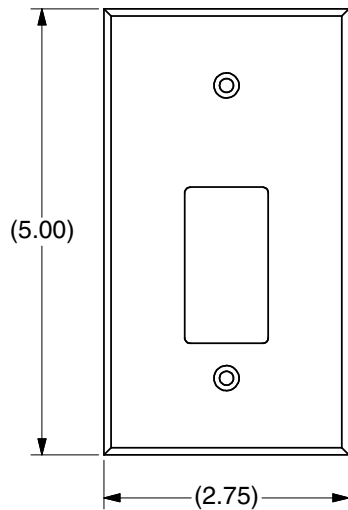
READ ALL INSTRUCTIONS BEFORE INSTALLATION

1. REMOVE FACEPLATE AND LED ASSEMBLY FROM OCTAGONAL BOX.
2. MOUNT OCTAGONAL BOX FLUSH TO WALL SURFACE. IN ORIENTATION SHOWN (*STEEL CITY #54171 SUPPLIED*)
3. CONNECT SUPPLY WIRES TO DRIVER INPUT WIRES.
4. INSERT LED ASSEMBLY INTO BOX, ALIGNING HOLES WITH OCTAGON BOX AND SECURE USING SUPPLIED SCREWS.
5. ALIGN AND ATTACH FACEPLATE TO LED ASSEMBLY. AND SECURE USING SUPPLIED FASTENERS.

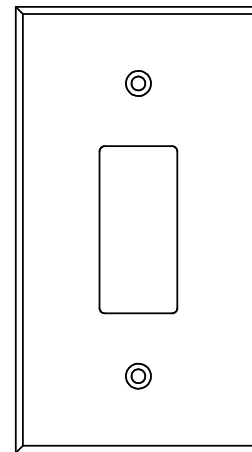


!!!WARNING!!! **TURN POWER OFF BEFORE SERVICE OR DAMAGE WILL OCCUR!!!**
Peligro! Desconectar la energía antes de dar mantenimiento, o daño ocurrirá!

INSTALL IN ACCORDANCE WITH ALL APPLICABLE NATIONAL AND LOCAL ELECTRIC CODES
 INSTALL IN ACCORDANCE WITH ALL MARKINGS APPEARING ON OR INSIDE LUMINAIRES

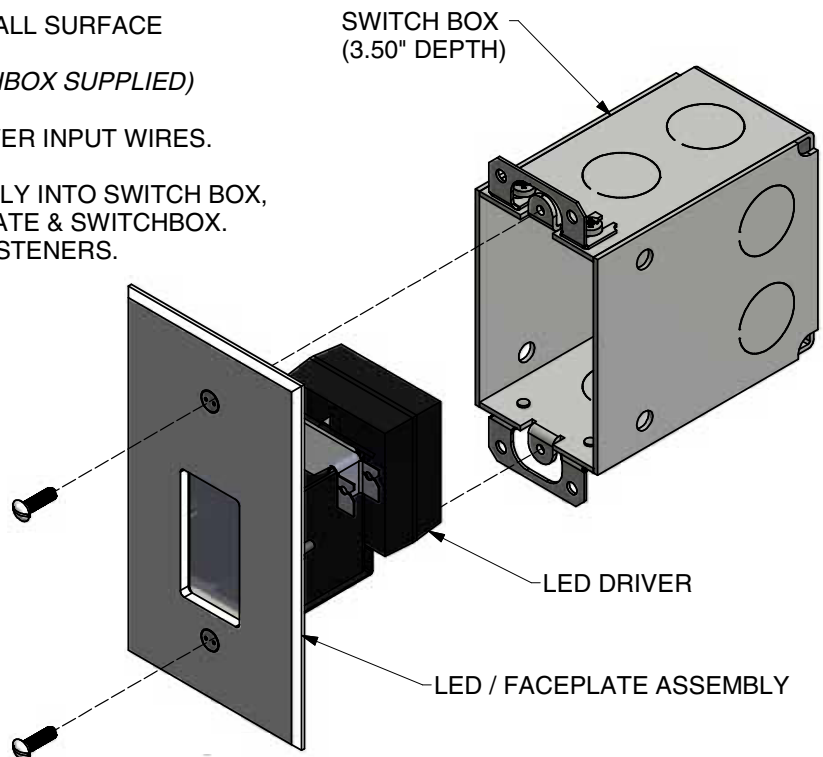


REFERENCE FACEPLATE SHOWN
**(ACTUAL FACEPLATE MAY
LOOK DIFFERENT)**



READ ALL INSTRUCTIONS BEFORE INSTALLATION

1. REMOVE LED / FACEPLATE ASSEMBLY FROM SWITCH BOX.
2. MOUNT SWITCH BOX FLUSH TO WALL SURFACE IN ORIENTATION SHOWN.
(RACO #560 SINGLE GANG SWITCHBOX SUPPLIED)
3. CONNECT SUPPLY WIRES TO DRIVER INPUT WIRES.
4. INSERT LED / FACEPLATE ASSEMBLY INTO SWITCH BOX, ALIGNING HOLES IN LED / FACEPLATE & SWITCHBOX. AND SECURE USING SUPPLIED FASTENERS.



!!!WARNING!!! Peligro! Desconectar
TURN POWER OFF la energía antes de
BEFORE SERVICE OR dar mantenimiento,
DAMAGE WILL OCCUR!! o daño ocurrirá!

**INSTALL IN ACCORDANCE WITH ALL APPLICABLE NATIONAL AND LOCAL ELECTRIC CODES
INSTALL IN ACCORDANCE WITH ALL MARKINGS APPEARING ON OR INSIDE LUMINAIRES**